



ALL FOR SHOPS AND WAREHOUSES

VVN

## Wheel loaders

Easy maintenance & outstanding after-sales services  
Complete line of applications and accessories  
Pilot control system, automatic leveling

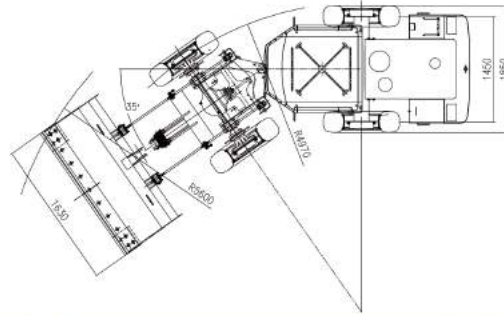
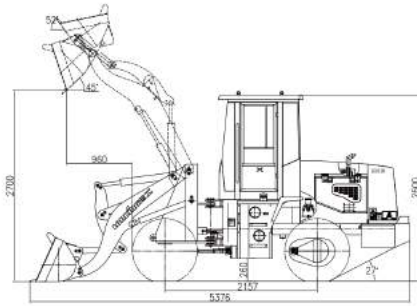


### Models described in the catalog:

VVN WL 42	VVN WL2 42	VVN WL 43	VVN WL 55	VVN WL 56
VVN WL 65	VVN WL 100	VVN WL 111	VVN WL2 111	VVN WL3 111
VVN WL4 111	VVN WL 112	VVN WL 113	VVN WL 115	VVN WL 116
VVN WL 117	VVN WL2 117	VVN WL3 117	VVN WL4 117	VVN WL5 117
VVN WL6 117	VVN WL 118	VVN WL 200	VVN WL 201	VVN WL2 201

# VVN WL 42

## overall specifications



### Overall Data

Bucket Capacity (m <sup>3</sup> )	0.5	
Rated Payload (kg)	1000	
Operating Weight (kg)	4200	
Traction Force (kN)	31	
Breakout Force (kN)	36	
<b>Max. Travel Speeds(km/h):</b>		
	<b>I</b>	<b>II</b>
Forward	8.3	20.8
Reverse	7.7	19.0

### Engine

<b>Engine</b>	<b>Changchai 490B</b>	
Rated Power (kW/rpm)	34/2400	
Rated Torque (Nm/rpm)	150/1800	
Starting Voltage (V)	24	

### Drive Train

Torque Converter	Single-stage, Single-turbine, 3-element	
Torque Ratio	3.7	
Transmission	Fixed Shaft Hydraulic Shift Spur Gear	
Gear	2F/2R	
Pressure of Transmission (MPa)	1.2-1.5	
Main Reducer	Spiral Bevel Gear Single-stage Reduction	
Final Reducer	Planetary Reduction	
Tire	11.00-16	

### Brake System

Service Brake	Air Drive, Four Wheel Brake (Dry)	
Setting Pressure (MPa)	0.78	
Parking & Emergency Brake	Flexible Shaft Controlled Caliper	

### Standard

Qingzhou Transmission	Optional
Feicheng Axle	Light-duty Grapple (ZZ)
Standard Bucket	

### Steering System

Type	Hydraulic Load Sensor System
Cylinders-BorexStroke (mm)	2-63X280
Steering Pump	Shared With Working Pump
System Pressure (MPa)	14
Steering Angle	±35°

### Hydraulic System

Lift Cylinders-BorexStroke (mm)	2-80X610
Tilt Cylinder-BorexStroke(mm)	1-100X450
Working Pump	Gear Pump
Flow Rate(L/min/rpm)	120/2400
System Pressure (MPa)	16

### Hydraulic Cycle Time, Rated Load in Bucket (In Second):

Raise (Loaded)	Dump	Lower (Empty)	Total
4.5	1.2	2.2	7.9

### Electrical System

System Voltage (V)	24
Battery (2 in series) (Ah)	180
Lamp Voltage (V)	24

### Service Refill Capacity

Fuel Tank (L)	80
Hydraulic Tank (L)	80
Transmission (L)	16
Front Axle (L) / Rear Axle (L)	8/8



ALL FOR SHOPS AND WAREHOUSES

#### LATVIA

SIA "Viss Veikaliem un Noliktavam"  
41A - 224 Kan davas street, Riga, LV-10 83  
Phone: +371 27727449 ( latvian, english),  
+371 22074120 (l atvian, russian, english),  
+371 20330002 (latvian, russian, english)  
E-mail: info@vvn.lv

www.vvn.lv

#### LITHUANIA

Phone: +370 70066080  
E-mail: info@vvn.lt  
www.vvn.lt

#### NORWAY

Phone: +47 219558 68  
E-mail: info@vvn.no  
www.vvn.no

#### ESTONIA

Phone: +372 634633 2,  
+372 63463 42  
E-mail: info@vvn.ee  
www.vvn.ee

#### DENMARK

E-mail: info@vvn.dk  
www.vvn.dk

#### FINLAND

Phone: +358 7532633 23  
E-mail: info@vvn.fi  
www.vvn.fi

#### RUSSIA

Phone: +7 849960925 1 5  
E-mail: info@vvn.ru  
www.vvn.ru

#### SWEDEN

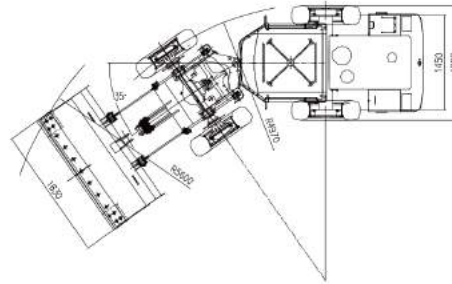
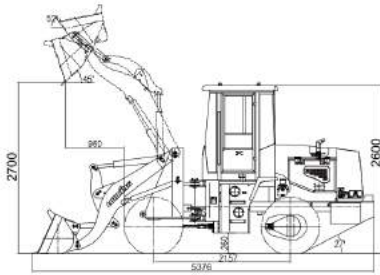
Phone: +46 107502388  
E-mail: info@vvn.se  
www.vvn.se

#### BELARUS

Phone: +375 849960925 1 5  
E-mail: info@vvn.by  
www.vvn.by

# VVN WL2 42

## overall specifications



### Overall Data

Bucket Capacity (m <sup>3</sup> )	0.55
Rated Payload (kg)	1200
Operating Weight (kg)	4200
Traction Force (kN)	31
Breakout Force (kN)	36

### Max. Travel Speeds (km/h):

	I	II
Forward	8.3	20.8
Reverse	7.7	19.0

### Engine Changchai 490B

Rated Power (kW/rpm)	38/2400
Rated Torque (Nm/rpm)	173/1800
Starting Voltage (V)	24

### Drive Train

Torque Converter	Single-stage, Single-turbine, 3-element
Torque Ratio	3.7
Transmission	Fixed Shaft Hydraulic Shift Spur Gear
Gear	2F/2R
Pressure of Transmission (MPa)	1.2-1.5
Main Reducer	Spiral Bevel Gear Single-stage Reduction
Final Reducer	Planetary Reduction
Tire	11.00-16

### Brake System

Service Brake	Air Drive, Four Wheel Brake (Dry)
Setting Pressure (MPa)	0.78
Parking & Emergency Brake	Flexible Shaft Controlled Caliper

### Standard Optional

Qingzhou Transmission	Light-duty Grapple (ZZ)
Feicheng Axle	
Standard Bucket	

### Steering System

Type	Hydraulic Load Sensor System
Cylinders-BorexStroke (mm)	2-63X280
Steering Pump	Shared With Working Pump
System Pressure (MPa)	14
Steering Angle	±35°

### Hydraulic System

Lift Cylinders-BorexStroke (mm)	2-80X610
Tilt Cylinder-BorexStroke(mm)	1-100X450
Working Pump	Gear Pump
Flow Rate (L/min/rpm)	120/2400
System Pressure (MPa)	16

### Hydraulic Cycle Time, Rated Load in Bucket (In Second):

Raise (Loaded)	Dump	Lower (Empty)	Total
4.5	1.2	2.2	7.9

### Electrical System

System Voltage (V)	24
Battery (2 in series) (Ah)	180
Lamp Voltage (V)	24

### Service Refill Capacity

Fuel Tank (L)	80
Hydraulic Tank (L)	80
Transmission (L)	16
Front Axle (L) / Rear Axle (L)	8/8



ALL FOR SHOPS AND WAREHOUSES

#### LATVIA

SIA "Viss Veikaliem un Noliktavam"  
41A - 224 Kan davas street, Riga, LV-10 83  
Phone: +371 27727449 ( latvian, english),  
+371 22074120 (l atvian, russian, english),  
+371 20330002 (latvian, russian, english)  
E-mail: info@vvn.lv

www.vvn.lv

#### LITHUANIA

Phone: +370 70066080  
E-mail: info@vvn.lt  
www.vvn.lt

#### NORWAY

Phone: +47 219558 68  
E-mail: info@vvn.no  
www.vvn.no

#### ESTONIA

Phone: +372 634633 2,  
+372 63463 42  
E-mail: info@vvn.ee  
www.vvn.ee

#### DENMARK

E-mail: info@vvn.dk  
www.vvn.dk

#### FINLAND

Phone: +358 7532633 23  
E-mail: info@vvn.fi  
www.vvn.fi

#### RUSSIA

Phone: +7 849960925 1 5  
E-mail: info@vvn.ru  
www.vvn.ru

#### SWEDEN

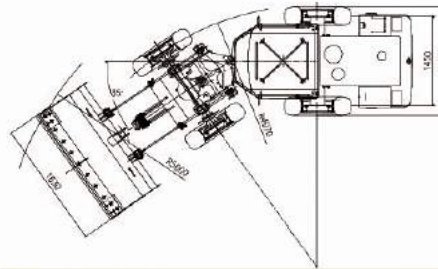
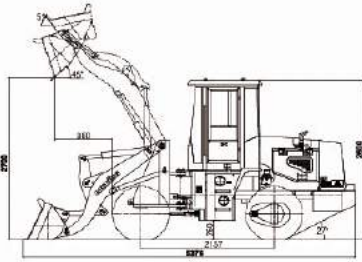
Phone: +46 107502388  
E-mail: info@vvn.se  
www.vvn.se

#### BELARUS

Phone: +375 849960925 1 5  
E-mail: info@vvn.by  
www.vvn.by

# VN WL 43

## overall specifications



### OVERALL DATA

Bucket Capacity (m <sup>3</sup> )	0.5
Rated Payload (kg)	1200
Operating Weight (kg)	4350
Traction Force (kN)	31
Breakout Force (kN)	36
LxWxH (mm)	5376x1630x2600

### Travel Speeds (km/h)

	I	II
Forward	8.3	20.8
Reverse	8.3	20.8

### ENGINE CHANGCHAI-490B

Rated Power (kW·hp/rpm)	38 (52)/2400
Rated Torque (Nm/rpm)	173/1800
Starting Voltage (V)	24

### DRIVE TRAIN

Torque Converter	Single-stage, Single-turbine, 3-element
Torque Ratio	3.7
Transmission	Fixed Shaft Hydraulic Shift Spur Gear
Gear	2F/2R
Pressure of Transmission (MPa)	1.2-1.5
Main Reducer	Spiral Bevel Gear Single-stage Reduction
Final Reducer	Planetary Reduction
Tire	11.00-16

### BRAKE SYSTEM

Service Brake	Air Drive, Four Wheel Brake (Dry)
Setting Pressure (MPa)	0.78
Parking & Emergency Brake	Flexible Shaft Controlled Caliper

### STANDARD OPTIONAL

Hydraulic Transmission	Light-duty Grapple (ZZ)
Dry Brake Drive Axle	
Standard Bucket	
Mechanical Flexible Shaft Control	

### STEERING SYSTEM

Type	Hydraulic Load Sensor System
Cylinders-bore x Stroke (mm)	2-63x280
Steering Pump	Shared With Working Pump
System Pressure (MPa)	14
Steering Angle	±35°

### HYDRAULIC SYSTEM

Lift Cylinders-bore x Stroke (mm)	2-80x810		
Tilt Cylinder-bore x Stroke(mm)	1-100x450		
Working Pump	Gear Pump		
Flow Rate (L/min/rpm)	120/2400		
System Pressure (MPa)	16		
Hydraulic Cycle Time, Rated Load in Bucket (In Second)			
Raise (Loaded)	Dump	Lower (Empty)	Total
4.5	1.2	2.2	7.9

### ELECTRICAL SYSTEM

System Voltage (V)	24
Battery (2 in Series) (Ah)	180
Lamp Voltage (V)	24

### SERVICE REFILL CAPACITY

Fuel Tank (L)	80
Hydraulic Tank (L)	80
Transmission (L)	16
Front Axle (L) / Rear Axle (L)	8/8



ALL FOR SHOPS AND WAREHOUSES

#### LATVIA

SIA "Viss Veikaliem un Noliktavam"  
41A - 224 Kan davas street, Riga, LV-10 83  
Phone: +371 27727449 ( latvian, english),  
+371 22074120 (l atvian, russian, english),  
+371 20330002 (latvian, russian, english)  
E-mail: info@vvn.lv

www.vvn.lv

#### LITHUANIA

Phone: +370 70066080  
E-mail: info@vvn.lt  
www.vvn.lt

#### NORWAY

Phone: +47 219558 68  
E-mail: info@vvn.no  
www.vvn.no

#### ESTONIA

Phone: +372 634633 2,  
+372 63463 42  
E-mail: info@vvn.ee  
www.vvn.ee

#### DENMARK

E-mail: info@vvn.dk  
www.vvn.dk

#### FINLAND

Phone: +358 7532633 23  
E-mail: info@vvn.fi  
www.vvn.fi

#### RUSSIA

Phone: +7 849960925 1 5  
E-mail: info@vvn.ru  
www.vvn.ru

#### SWEDEN

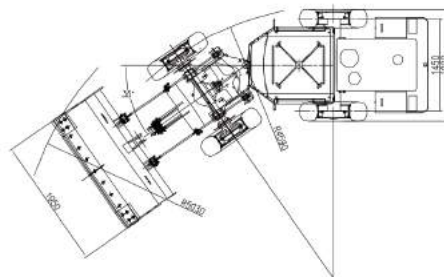
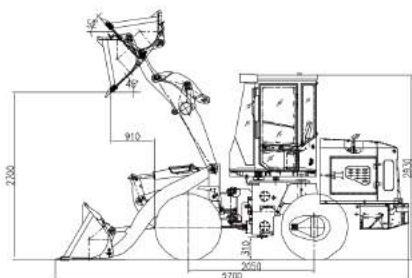
Phone: +46 107502388  
E-mail: info@vvn.se  
www.vvn.se

#### BELARUS

Phone: +375 849960925 1 5  
E-mail: info@vvn.by  
www.vvn.by

# VVN WL 55

## overall specifications



### Overall Data

Bucket Capacity (m <sup>3</sup> )	0.95
Rated Payload (kg)	1600
Operating Weight (kg)	5500
Traction Force (kN)	50
Breakout Force (kN)	52

### Max. Travel Speeds (km/h):

	I	II
Forward	7.4	20.8
Reverse	7.2	20.4

### Engine YTO YT4A2-24

Rated Power (kW/rpm)	55/2400
Rated Torque (Nm/rpm)	235/1680-1800
Starting Voltage (V)	24

### Drive Train

Torque Converter	Single-stage, Single-turbine, 3-element
Torque Ratio	3.7
Transmission	Fixed Shaft Hydraulic Shift Spur Gear
Gear	2F/2R
Pressure of Transmission (MPa)	1.2-1.5
Main Reducer	Spiral Bevel Gear Single-stage Reduction
Final Reducer	Planetary Reduction
Tire	16/70-20

### Brake System

Service Brake	Air Drive, Four Wheel Brake (Dry)
Setting Pressure (MPa)	0.78
Parking & Emergency Brake	Flexible Shaft Controlled Caliper

### Standard Optional

Shantui Transmission	Log Grapple (J)
Feicheng Axle	Light-duty Grapple (ZZ)
Standard Bucket	

### Steering System

Type	Hydraulic Load Sensor System
Cylinders-BorexStroke (mm)	2-63X280
Steering Pump	Shared With Working Pump
System Pressure (MPa)	14
Steering Angle	±35°

### Hydraulic System

Lift Cylinders-BorexStroke (mm)	2-90X589
Tilt Cylinder-BorexStroke(mm)	1-100X387
Working Pump	Gear Pump
Flow Rate (L/min/RPM)	120/2400
System Pressure (MPa)	16

### Hydraulic Cycle Time, Rated Load in Bucket (In Second):

Raise (Loaded)	Dump	Lower (Empty)	Total
4.9	0.8	3.7	9.4

### Electrical System

System Voltage (V)	24
Battery (2 in series) (Ah)	180
Lamp Voltage (V)	24

### Service Refill Capacity

Fuel Tank (L)	80
Hydraulic Tank (L)	80
Transmission (L)	18
Front Axle (L) / Rear Axle (L)	12/12

### Air Conditioning System (Optional)

Heating Capacity (W)	5800 (±10%)
Cooling Capacity (W)	4500 (±10%)



ALL FOR SHOPS AND WAREHOUSES

#### LATVIA

SIA "Viss Veikaliem un Noliktavam"  
41A - 224 Kan davas street, Riga, LV-10 83  
Phone: +371 27727449 ( latvian, english),  
+371 22074120 (l atvian, russian, english),  
+371 20330002 (latvian, russian, english)  
E-mail: info@vvn.lv

www.vvn.lv

#### LITHUANIA

Phone: +370 70066080  
E-mail: info@vvn.lt  
www.vvn.lt

#### NORWAY

Phone: +47 219558 68  
E-mail: info@vvn.no  
www.vvn.no

#### ESTONIA

Phone: +372 634633 2,  
+372 63463 42  
E-mail: info@vvn.ee  
www.vvn.ee

#### DENMARK

E-mail: info@vvn.dk  
www.vvn.dk

#### FINLAND

Phone: +358 7532633 23  
E-mail: info@vvn.fi  
www.vvn.fi

#### RUSSIA

Phone: +7 849960925 1 5  
E-mail: info@vvn.ru  
www.vvn.ru

#### SWEDEN

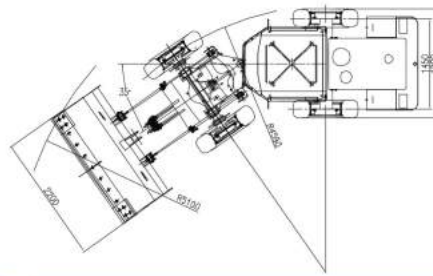
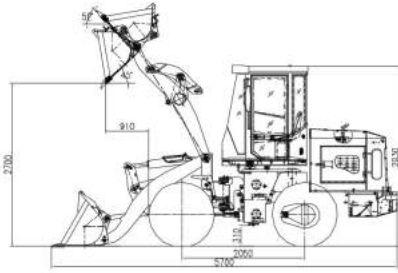
Phone: +46 107502388  
E-mail: info@vvn.se  
www.vvn.se

#### BELARUS

Phone: +375 849960925 1 5  
E-mail: info@vvn.by  
www.vvn.by

# VVN WL 56

## overall specifications



### Overall Data

Bucket Capacity (m <sup>3</sup> )	1.05	
Rated Payload (kg)	1800	
Operating Weight (kg)	5600	
Traction Force (kN)	53	
Breakout Force (kN)	52	
<b>Max. Travel Speeds (km/h):</b>		
	I	II
Forward	7.4	20.8
Reverse	7.2	20.4

### Engine

	<b>YTO</b>	<b>YT4B3-24</b>
Rated Power (kW/rpm)	63/2400	
Rated Torque (Nm/rpm)	275/1680-1800	
Starting Voltage (V)	24	

### Drive Train

Torque Converter	Single-stage, Single-turbine, 3-element	
Torque Ratio	3.7	
Transmission	Fixed Shaft Hydraulic Shift Spur Gear	
Gear	2F/2R	
Pressure of Transmission (MPa)	1.2-1.5	
Main Reducer	Spiral Bevel Gear Single-stage Reduction	
Final Reducer	Planetary Reduction	
Tire	16/70-20	

### Brake System

Service Brake	Air Drive, Four Wheel Brake (Dry)	
Setting Pressure (MPa)	0.78	
Parking & Emergency Brake	Flexible Shaft Controlled Caliper	

### Standard

Shantui Transmission	Log Grapple (J)
Feicheng Axle	Light-duty Grapple (ZZ)
Standard Bucket	

### Steering System

Type	Hydraulic Load Sensor System
Cylinders-BorexStroke (mm)	2-63X280
Steering Pump	Shared With Working Pump
System Pressure (MPa)	14
Steering Angle	±35°

### Hydraulic System

Lift Cylinders-BorexStroke (mm)	2-90X589
Tilt Cylinder-BorexStroke(mm)	1-100X387
Working Pump	Gear Pump
Flow Rate (L/min/rpm)	120/2400
System Pressure (MPa)	16

### Hydraulic Cycle Time, Rated Load in Bucket (In Second):

Raise (Loaded)	Dump	Lower (Empty)	Total
4.9	0.8	3.7	9.4

### Electrical System

System Voltage (V)	24
Battery (2 in series) (Ah)	180
Lamp Voltage (V)	24

### Service Refill Capacity

Fuel Tank (L)	80
Hydraulic Tank (L)	80
Transmission (L)	18
Front Axle (L) / Rear Axle (L)	12/12

### Air Conditioning System (Optional)

Heating Capacity (W)	5800 (±10%)
Cooling Capacity (W)	4500 (±10%)



ALL FOR SHOPS AND WAREHOUSES

#### LATVIA

SIA "Viss Veikaliem un Noliktavam"  
41A - 224 Kan davas street, Riga, LV-10 83  
Phone: +371 27727449 ( latvian, english),  
+371 22074120 (l atvian, russian, english),  
+371 20330002 (latvian, russian, english)  
E-mail: info@vvn.lv

www.vvn.lv

#### LITHUANIA

Phone: +370 70066080  
E-mail: info@vvn.lt  
www.vvn.lt

#### NORWAY

Phone: +47 219558 68  
E-mail: info@vvn.no  
www.vvn.no

#### ESTONIA

Phone: +372 634633 2,  
+372 63463 42  
E-mail: info@vvn.ee  
www.vvn.ee

#### DENMARK

E-mail: info@vvn.dk  
www.vvn.dk

#### FINLAND

Phone: +358 7532633 23  
E-mail: info@vvn.fi  
www.vvn.fi

#### RUSSIA

Phone: +7 849960925 1 5  
E-mail: info@vvn.ru  
www.vvn.ru

#### SWEDEN

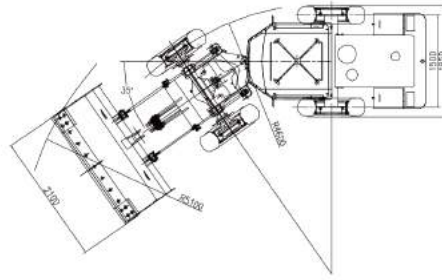
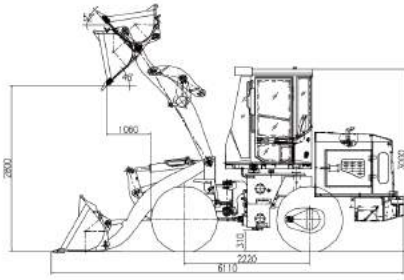
Phone: +46 107502388  
E-mail: info@vvn.se  
www.vvn.se

#### BELARUS

Phone: +375 849960925 1 5  
E-mail: info@vvn.by  
www.vvn.by

# VVN WL 65

## overall specifications



### Overall Data

Bucket Capacity (m <sup>3</sup> )	1.2	
Rated Payload (kg)	2300	
Operating Weight (kg)	6500	
Traction Force (kN)	58	
Breakout Force (kN)	68	
<b>Travel speeds (km/h):</b>		
	I	II
Forward	8.8	24.8
Reverse	8.5	24.8

### Engine YTO LR4B3-24

Rated Power (kW/rpm)	65/2400
Rated Torque (Nm/rpm)	292-305/1400-1600
Starting Voltage (V)	24

### Drive Train

Torque Converter	Single-stage, Single-turbine, 3-element
Torque Ratio	3.7
Transmission	Fixed Shaft Hydraulic Shift Spur Gear
Gear	2F/2R
Pressure of Transmission (MPa)	1.2-1.5
Main Reducer	Spiral Bevel Gear Single-stage Reduction
Final Reducer	Planetary Reduction
Tire	16/70-20

### Brake System

Service Brake	Air Drive, Four Wheel Brake (Dry)
Setting Pressure (MPa)	0.78
Parking & Emergency Brake	Flexible Shaft Controlled Caliper

### Standard

Shantui Transmission	Log Grapple (J)
Feicheng Axle	Light-duty Grapple (ZZ)
Standard Bucket	

### Optional

### Steering System

Type	Hydraulic Load Sensor System
Cylinders-BorexStroke (mm)	2-63X280
Steering Pump	Shared With Working Pump
System Pressure (MPa)	14
Steering Angle	±35°

### Hydraulic System

Lift Cylinders-BorexStroke (mm)	2-100X718
Tilt Cylinder-BorexStroke(mm)	1-110X494
Working Pump	Gear Pump
Flow Rate (L/min/rpm)	151/2400
System Pressure (MPa)	16

### Hydraulic Cycle Time, Rated Load in Bucket (In Second):

Raise (Loaded)	Dump	Lower (Empty)	Total
5.6	1.3	3.7	10.6

### Electrical System

System Voltage (V)	24
Battery (2 in series) (Ah)	180
Lamp Voltage (V)	24

### Service Refill Capacity

Fuel Tank (L)	110
Hydraulic Tank (L)	100
Transmission (L)	18
Front Axle (L) / Rear Axle (L)	12/12

### Air Conditioning System (Optional)

Heating Capacity (W)	5800 (±10%)
Cooling Capacity (W)	4500 (±10%)



ALL FOR SHOPS AND WAREHOUSES

#### LATVIA

SIA "Viss Veikaliem un Noliktavam"  
41A - 224 Kan davas street, Riga, LV-10 83  
Phone: +371 27727449 ( latvian, english),  
+371 22074120 (l atvian, russian, english),  
+371 20330002 (latvian, russian, english)  
E-mail: info@vvn.lv

www.vvn.lv

#### LITHUANIA

Phone: +370 70066080  
E-mail: info@vvn.lt  
www.vvn.lt

#### NORWAY

Phone: +47 219558 68  
E-mail: info@vvn.no  
www.vvn.no

#### ESTONIA

Phone: +372 634633 2,  
+372 63463 42  
E-mail: info@vvn.ee  
www.vvn.ee

#### DENMARK

E-mail: info@vvn.dk  
www.vvn.dk

#### FINLAND

Phone: +358 7532633 23  
E-mail: info@vvn.fi  
www.vvn.fi

#### RUSSIA

Phone: +7 849960925 1 5  
E-mail: info@vvn.ru  
www.vvn.ru

#### SWEDEN

Phone: +46 107502388  
E-mail: info@vvn.se  
www.vvn.se

#### BELARUS

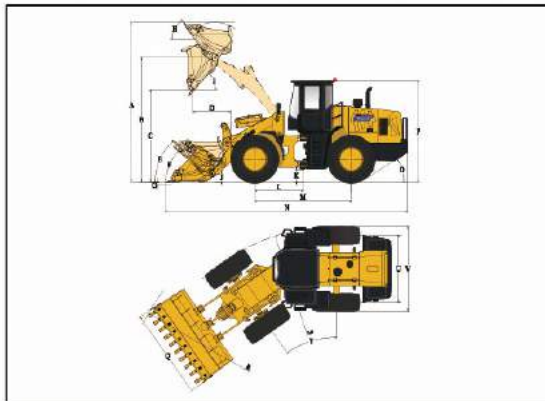
Phone: +375 849960925 1 5  
E-mail: info@vvn.by  
www.vvn.by

# VVN WL 100

## overall specifications

### DIMENSIONS

All dimensions are approximate. Dimensions may vary with bucket and tire choice. Refer to operating specifications.



NO.	DESCRIPTION	UNIT	STD	High Dump
A	Overall Height – Bucket Raised	mm	4737	5080
B	Bucket Pin Height at Max. Lift	mm	3710	4064
C	Dump Clearance at Max. Lift ( 45°)	mm	2904	3249
D	Reach at Max. Lift and 45° Dump	mm	1095	1002
E	Rack Back Angle at Carry	°	46.3	46.6
F	Rack Back Angle at Ground	°	40	40.9
G	Digging Depth	mm	30-40	30-40
H	Rack Back Angle at Max. Lift	°	50.7	47
I	Dump Angle at Max. Lift	°	46.6	45
J	Carry Height	mm	400	400
K	Ground Clearance	mm	345	345
L	Center Line of Front Axle to Hitch	mm	1425	1425
M	Wheel Base	mm	2850	2850
N	Overall Length	mm	7200	7450
O	Departure Angle	°	27	27
P	Height to Top of Cab	mm	3180	3180
Q	Overall Width over Bucket	mm	2500	2500
R	Min. Turning Radius over Bucket	mm	6190	6280
S	Min. Turning Radius over Tires	mm	5675	5675
T	Steering Angle – Left/Right	°	35	35
U	Width at Tread Center	mm	1850	1850
V	Overall Width over Tires	mm	2320	2320

### OVERALL DATA

Bucket Capacity	1.7m³	1.7m³
Rated Payload	3000kg	3000kg
Operating Weight	10300±300kg	10500±300kg
Traction Force	97±3kN	97±3kN
Breakout Force	105±3kN	95±3kN
LxWxH(mm)	7200×2500×3180	7450×2500×3180

### ENGINE&ELECTRICAL SYSTEM

Maker/Model	WEICHAIWP6G125E22
Emission Standard	EPA (Tier II )National II
Engine Type	4 Stroke, Turbocharged, Water-cooled, Direct Injection, Diesel Engine
Rated Power	92kW(125hp)/2200rpm
Maximum Torque	500N·m/1400-1600rpm
Bore x Stroke (mm)	105×130
No. of Cylinders/Displacement	6/6.76L
Compression Ratio	18.0
Air Cleaner	Three Stage Air Cleaner
Alternator	55Amp
Battery	2-24V/105Ah
Starting Motor	24V/6kW
Heating Capacity (W)	5000W
Cooling Capacity (W)	4700W

### DRIVE TRAIN

Transmission Type	Countershaft Powershift Transmission				
Shift Type	Mechanical Powershift Control				
Pressure of Transmission	1.1-1.5MPa				
Torque Converter Type	Single-stage, Single-turbine, 3-element				
Torque Ratio	3.2				
Axles	Rigid Front Axle&Oscillating Rear Axle				
Rear Axle Oscillation (°)	±10°				
Differential	Conventional				
Main Reducer	Spiral Bevel, 1-stage Reduction				
Final Reducer	Planetary Reduction				
Tire	17.5-25 L-3 12PR TT				
Travel Speeds	km/h	1st	2nd	3rd	4th
	Forward	7	12	24	36
	Reverse	8.5	28		

### BRAKE SYSTEM

Service Brake	Single Circuit Caliper, Dry Brake
Setting Pressure	0.70-0.78MPa
Parking Brake	Flexible Shaft Controlled Caliper Brake
Emergency Brake	Flexible Shaft Controlled Caliper Brake

### STEERING SYSTEM

Type	Hydraulic Load Sensing System	
Pump	Gear Pump, 176L/min • 2200rpm	
System Pressure	14MPa	
Cylinder	Type	Double Acting
	Bore x Stroke	2-80×315mm
Steering Angle	±35°	

### HYDRAULIC SYSTEM

Type	Mechanical Shift Control			
Pump	Gear Pump, 176L/min • 2200rpm			
Control Valve	2 Spool (Bucket&Boom)			
System Pressure	16MPa			
Cylinder	Lift Cylinder	2-125×784mm		
	Tilt Cylinder	1-140×563mm		
Joystick Control Pressure	~MPa			
Cycle Time (Sec)	Raise	Dump	Lower	Total
	5.5	1.3	3.7	10.5

### SERVICE REFILL CAPACITY

Fuel Tank (L)	200L
Hydraulic Tank (L)	150/165 (3rd Speed for Auxiliary Functions)
Crankshaft (L)	17L
Transmission (L)	36L
Front Axle/Rear Axle (L)	18.5L/18.5L

### STANDARD EQUIPMENT

WEICHAI Engine	Mechanical Shift Control
LOKING Transmission	Standard Lift&Bucket (1.7m³)
Mechanical Powershift Control	ROPS&FOPS Cabin
LOKING Axles	Air Conditioner
Flexible Shaft Controlled Caliper Brake(Parking Brake)	Radio&MP3
	Mechanical Instrument Panel

### OPTIONAL EQUIPMENT

Cold Starting (-35°C)	Quick-change Bucket (1.7m³)
Oil-bath Air Filter	Bucket (2.0m³)
17.5R25 ★★ L-3 TL	Enlarged Bucket(2.3m³)
3rd Spool for Auxiliary Function	Coal Bucket(2.5m³)
3-lever Control for Lift&Tilt&Auxiliary Function	3 Piece Cutting Edge, Bolt-on Type Bucket
Sliding Cabin Window	Log Fork
Electric Heating Rear Window	Grasping Pitchfork
Lockable Oil Tank Cap	Side Dump Bucket
Rear View Camera	FORK(Quick-change Only)
Pressure Testing Connector	4in1 Bucket(Quick-change Only)
High Lift &Additional Counterweight	Snow Blade(Quick-change Only)
Quick-change Coupler	



ALL FOR SHOPS AND WAREHOUSES

#### LATVIA

SIA "Viss Veikaliem un Noliktavām"  
41A - 224 Kan davas street, Rīga, LV-10 83  
Phone: +371 27727449 ( latvian, english),  
+371 22074120 (l atvian, russian, english),  
+371 20330002 (latvian, russian, english)  
E-mail: info@vvn.lv

www.vvn.lv

#### LITHUANIA

Phone: +370 70066080  
E-mail: info@vvn.lt  
www.vvn.lt

#### NORWAY

Phone: +47 219558 68  
E-mail: info@vngroup.no  
www.vngroup.no

#### ESTONIA

Phone: +372 634633 2,  
+372 63463 42  
E-mail: info@vvn.ee  
www.vn.ee

#### DENMARK

E-mail: info@vngroup.dk  
www.vngroup.dk

#### FINLAND

Phone: +358 7532633 23  
E-mail: info@vvn.fi  
www.vvn.fi

#### RUSSIA

Phone: +7 849960925 1 5  
E-mail: info@vngroup.ru  
www.vngroup.ru

#### SWEDEN

Phone: +46 107502388  
E-mail: info@vngroup.se  
www.vngroup.se

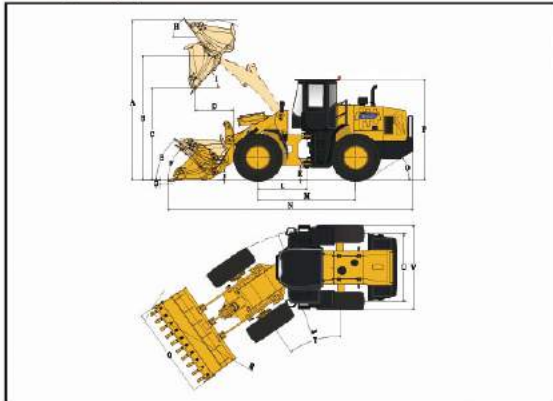
#### BELARUS

Phone: +375 849960925 1 5  
E-mail: info@vngroup.by  
www.vngroup.by



### DIMENSIONS

All dimensions are approximate. Dimensions may vary with bucket and tire choice. Refer to operating specifications.



NO.	DESCRIPTION	UNIT	DIMENSIONS
A	Overall Height – Bucket Raised	mm	4790
B	Bucket Pin Height at Max. Lift	mm	3710
C	Dump Clearance at Max. Lift (45°)	mm	2806
D	Reach at Max. Lift and 45° Dump	mm	1170
E	Rack Back Angle at Carry	°	47
F	Rack Back Angle at Ground	°	44
G	Digging Depth	mm	30-40
H	Rack Back Angle at Max. Lift	°	55
I	Dump Angle at Max. Lift	°	45
J	Carry Height	mm	400
K	Ground Clearance	mm	347
L	Center Line of Front Axle to Hitch	mm	1425
M	Wheel Base	mm	2850
N	Overall Length	mm	7520
O	Departure Angle	°	27
P	Height to Top of Cab	mm	3180
Q	Overall Width over Bucket	mm	2500
R	Min. Turning Radius over Bucket	mm	6240
S	Min. Turning Radius over Tires	mm	5680
T	Steering Angle – Left/Right	°	35
U	Width at Tread Center	mm	1850
V	Overall Width over Tires	mm	2320

### OVERALL DATA

Bucket Capacity	1.8m³
Rated Payload	3500kg
Operating Weight	11620±300kg
Traction Force	106±3kN
Breakout Force	103±3kN
LxWxH	7520x2500x3180mm

### ENGINE&ELECTRICAL SYSTEM

Maker/Model	WEICHAI/WP6G140E22
Emission Standard	EPA (Tier II) / National II
Engine Type	4 Stroke, Turbocharged, Water-cooled, Direct Injection, Diesel Engine
Rated Power	105kW(140hp)/2200rpm
Maximum Torque	580N·m/1500rpm
Bore x Stroke (mm)	105x130
No. of Cylinders/Displacement	6/6.75L
Compression Ratio	18.0
Air Cleaner	Three Stage Air Cleaner
Alternator	55Amp
Battery	2-24V/105Ah
Starting Motor	24V/6kW
Heating Capacity (W)	5000W
Cooling Capacity (W)	4700W

### DRIVE TRAIN

Transmission Type	Countershaft Powershift Transmission				
Shift Type	Mechanical Powershift Control				
Pressure of Transmission	1.1-1.5MPa				
Torque Converter Type	Single-stage, Single-turbine, 3-element				
Torque Ratio	3.2				
Axes	Rigid Front Axle&Oscillating Rear Axle				
Rear Axle Oscillation (°)	±10°				
Differential	Conventional				
Main Reducer	Spiral Bevel, 1-stage Reduction				
Final Reducer	Planetary Reduction				
Tire	17.5-25 L-3 12PR TT				
Travel Speeds	km/h	1st	2nd	3rd	4th
	Forward	6.5	12.0	32.0	
	Reverse	6.8	12.5	33.5	

### BRAKE SYSTEM

Service Brake	Single Circuit Caliper, Dry Brake
Setting Pressure	0.70-0.78MPa
Parking Brake	Flexible Shaft Controlled Caliper Brake
Emergency Brake	Flexible Shaft Controlled Caliper Brake

### STEERING SYSTEM

Type	Hydraulic Load Sensing System		
Pump	Gear Pump, 246L/min • 2200rpm		
System Pressure	14MPa		
Cylinder	Type	Double Acting	
	Bore x Stroke	2-80x315mm	
Steering Angle	±35°		

### HYDRAULIC SYSTEM

Type	Single-lever(Joystick) Control			
Pump	Gear Pump, 246L/min • 2200rpm			
Control Valve	2 Spool (Bucket&Boom)			
System Pressure	16MPa			
Cylinder	Lift Cylinder	2-125x784mm		
	Tilt Cylinder	1-140x553mm		
Joystick Control Pressure	2.5MPa			
Cycle Time (Sec)	Raise	Dump	Lower	Total
	5.5	1.3	3.7	10.5

### SERVICE REFILL CAPACITY

Fuel Tank (L)	200L
Hydraulic Tank (L)	173/178(3 <sup>rd</sup> Spool for Auxiliary Function)
Crankshaft (L)	17L
Transmission (L)	37L
Front Axle/Rear Axle (L)	18.5L/18.5L

### STANDARD EQUIPMENT

WEICHAI Engine	Single-lever(Joystick) Control
LONKING Transmission	Standard Lift&Bucket (1.8m³)
Mechanical Powershift Control	ROPS&FOPS Cabin
LONKING Axles	Air Conditioner
Flexible Shaft Controlled Caliper Brake(Parking Brake)	Radio&MP3 LCD Display

### OPTIONAL EQUIPMENT

Cold Starting (-35℃)	Quick-change Bucket (1.7m³)
Oil-bath Air Filter	Bucket 1(2.0m³)
17.5R25 ★★ L-3 TL	Enlarged Bucket(2.3m³)
3 <sup>rd</sup> Spool for Auxiliary Function	Coal Bucket(2.5m³)
Double-lever(Joystick) Control for Lift&Tilt&Auxiliary Function	3 Piece Cutting Edge, Bolt-on Type Bucket
Sliding Cabin Window	Log Fork
Electric Heating Rear Window	Grasping Pitchesfork
Lockable Oil Tank Cap	Side Dump Bucket
Rear View Camera	Fork(Quick-change Only)
Pressure Testing Connector	4in1 Bucket(Quick-change Only)
High Lift &Additional Counterweight	Snow Blade(Quick-change Only)
Quick-change Coupler	Electronic Powershift Control



ALL FOR SHOPS AND WAREHOUSES

#### LATVIA

SIA "Viss Veikaliem un Noliktavam"  
41A - 224 Kan davas street, Riga, LV-10 83  
Phone: +371 27727449 ( latvian, english),  
+371 22074120 (l atvian, russian, english),  
+371 20330002 (latvian, russian, english)  
E-mail: info@vvn.lv

www.vvn.lv

#### LITHUANIA

Phone: +370 70066080  
E-mail: info@vvn.lt  
www.vvn.lt

#### NORWAY

Phone: +47 219558 68  
E-mail: info@vvn.no  
www.vvn.no

#### ESTONIA

Phone: +372 634633 2,  
+372 63463 42  
E-mail: info@vvn.ee  
www.vvn.ee

#### DENMARK

E-mail: info@vvn.dk  
www.vvn.dk

#### FINLAND

Phone: +358 7532633 23  
E-mail: info@vvn.fi  
www.vvn.fi

#### RUSSIA

Phone: +7 849960925 1 5  
E-mail: info@vvn.ru  
www.vvn.ru

#### SWEDEN

Phone: +46 107502388  
E-mail: info@vvn.se  
www.vvn.se

#### BELARUS

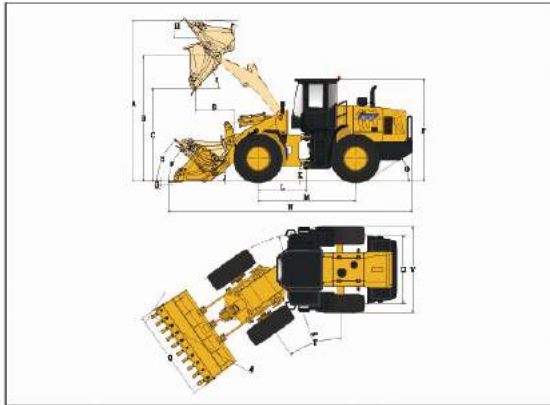
Phone: +375 849960925 1 5  
E-mail: info@vvn.by  
www.vvn.by

# VVN WL2 111

## overall specifications

### DIMENSIONS

All dimensions are approximate. Dimensions may vary with bucket and tire choice. Refer to operating specifications.



NO.	DESCRIPTION	UNIT	STD	High Q-Change
A	Overall Height – Bucket Raised	mm	4790	5545
B	Bucket Pin Height at Max. Lift	mm	3710	4324
C	Dump Clearance at Max. Lift (45°)	mm	2806	3135
D	Reach at Max. Lift and 45° Dump	mm	1170	1170
E	Rack Back Angle at Carry	°	47	46.3
F	Rack Back Angle at Ground	°	44	40.1
G	Digging Depth	mm	30-40	30-40
H	Rack Back Angle at Max. Lift	°	55	51
I	Dump Angle at Max. Lift	°	45	45
J	Carry Height	mm	400	334
K	Ground Clearance	mm	347	374
L	Center Line of Front Axle to Hitch	mm	1425	1425
M	Wheel Base	mm	2850	2850
N	Overall Length	mm	7520	8080
O	Departure Angle	°	27	29
P	Height to Top of Cab	mm	3180	3180
Q	Overall Width over Bucket	mm	2500	2936
R	Min. Turning Radius over Bucket	mm	6240	6740
S	Min. Turning Radius over Tires	mm	5580	5657
T	Steering Angle – Left/Right	°	35	35
U	Width at Tread Center	mm	1850	1850
V	Overall Width over Tires	mm	2320	2294

### OVERALL DATA

MODEL	STANDARD	HIGH QUICK-CHANGE
Bucket Capacity	1.8m³	2.3m³
Rated Payload	3500kg	3000kg
Operating Weight	11620±300kg	12300±300kg
Traction Force	106±3kN	97±3kN
Breakout Force	103±3kN	97±3kN
LxWxH	7520x2500x3180	8080x2936x3180

### ENGINE & ELECTRICAL SYSTEM

Maker/Model	CUMMINS/QSB6.7-C133
Emission Standard	EPA (Tier III)/EU Stage IIIA
Engine Type	4 Stroke, Turbocharged & Charge Air Cooled, Bosch Electronic, Diesel Engine
Rated Power	99kW(133hp)/2200rpm
Maximum Torque	584N·m/1450rpm
Bore x Stroke (mm)	107x124
No. of Cylinders/Displacement	6/6.7L
Compression Ratio	17.2
Air Cleaner	Three Stage Air Cleaner with Cyclone Pre-cleaner
Alternator	70Amp
Battery	2-24V/105Ah
Starting Motor	24V/5.8kW
Heating Capacity (W)	5000W
Cooling Capacity (W)	4700W

### DRIVE TRAIN

Transmission Type	Countershaft Powershift Transmission				
Shift Type	Electronic Powershift Control				
Pressure of Transmission	1.5-1.7MPa				
Torque Converter Type	Single-stage, Single-turbine, 3-element				
Torque Ratio	3.2				
Axles	Rigid Front Axle & Oscillating Rear Axle				
Rear Axle Oscillation (°)	±10°				
Differential	Conventional				
Main Reducer	Spiral Bevel, 1-stage Reduction				
Final Reducer	Planetary Reduction				
Tire (Standard)	17.5-25 L-3 12PR TT				
Tire (High Quick-change)	20.5-25 L-3 16PR TT				
Travel Speeds	km/h	1st	2nd	3rd	4th
	Forward	7.0	12.0	28.0	38.0
Reverse	7.0	12.0	28.0		

### BRAKE SYSTEM

Service Brake	Full Hydraulic Wet-discs Brake
Setting Pressure	5.3-5.7MPa
Parking Brake	Hydraulic Actuated Drum Brake
Emergency Brake	Hydraulic Actuated Drum Brake

### STEERING SYSTEM

Type	Hydraulic Load Sensing System	
Pump	Gear Pump, 246L/min * 2200rpm	
System Pressure	14MPa	
Cylinder	Type	Double Acting
	Bore x Stroke	2-80x315mm
Steering Angle	±35°	

### HYDRAULIC SYSTEM

Type (Standard)	Single-lever (Joystick) Control							
Type (High Quick-change)	Double-lever (Joystick) Control							
Pump	Gear Pump, 246L/min * 2200rpm							
Control Valve (Standard/High Quick-change)	2/3 Spool							
System Pressure	16MPa							
Cylinder	Lift Cylinder	2-125x784mm						
	Tilt Cylinder	1-140x553mm						
Joystick Control Pressure	2.5MPa							
Cycle Time (Sec)	Raise	5.5	Dump	1.3	Lower	3.7	Total	10.5

### SERVICE REFILL CAPACITY

Fuel Tank (L)	200L
Hydraulic Tank (L)	173/178 (1st Spool for Auxiliary Function)
Crankshaft (L)	17L
Transmission (L)	37L
Front Axle/Rear Axle (L)	18.5L/18.5L

### STANDARD EQUIPMENT

CUMMINS Engine	Single-lever (Joystick) Control
YD-13 Transmission	Standard Lift & Bucket (1.8m³)
Electronic Powershift Control	ROPS & FOPS Cabin
YUNYU Axles	Air Conditioner
Hydraulic Actuated Drum Brake (Parking Brake)	Radio & MP3 LCD Display

### OPTIONAL EQUIPMENT

Cold Starting (-35°C)	Quick-change Coupler
Oil-bath Air Filter	Quick-change Bucket (1.7m³)
20.5-25 L-3 16PR TT	Quick-change Enlarged Bucket (2.3m³)
17.5R25 ★★ L-3 TL	Bucket 1(2.0m³)
20.5R25 ★★ L-3 TL	Enlarged Bucket (2.3m³)
3rd Spool for Auxiliary Function	Coal Bucket (2.5m³)
Double-lever (Joystick) Control for Lift & Tilt & Auxiliary Function	3 Piece Cutting Edge, Bolt-on Type Bucket
Sliding Cabin Window	Log Fork
Electric Heating Rear Window	Grasping Pitchfork
Lockable Oil Tank Cap	Side Dump Bucket
Rear View Camera	Fork (Quick-change Only)
Pressure Testing Connector	4in1 Bucket (Quick-change Only)
High Lift & Additional Counterweight	Snow Blade (Quick-change Only)

# VVN

ALL FOR SHOPS AND WAREHOUSES

#### LATVIA

SIA "Viss Veikaliem un Noliktavam"  
41A - 224 Kan davas street, Riga, LV-10 83  
Phone: +371 27727449 (Latvian, English),  
+371 22074120 (Latvian, Russian, English),  
+371 20330002 (Latvian, Russian, English)  
E-mail: info@vvn.lv

www.vvn.lv

#### LITHUANIA

Phone: +370 70066080  
E-mail: info@vvn.lt  
www.vvn.lt

#### NORWAY

Phone: +47 219558 68  
E-mail: info@vvn.no  
www.vvn.no

#### ESTONIA

Phone: +372 634633 2,  
+372 63463 42  
E-mail: info@vvn.ee  
www.vvn.ee

#### DENMARK

E-mail: info@vvn.dk  
www.vvn.dk

#### FINLAND

Phone: +358 7532633 23  
E-mail: info@vvn.fi  
www.vvn.fi

#### RUSSIA

Phone: +7 849960925 15  
E-mail: info@vvn.ru  
www.vvn.ru

#### SWEDEN

Phone: +46 107502388  
E-mail: info@vvn.se  
www.vvn.se

#### BELARUS

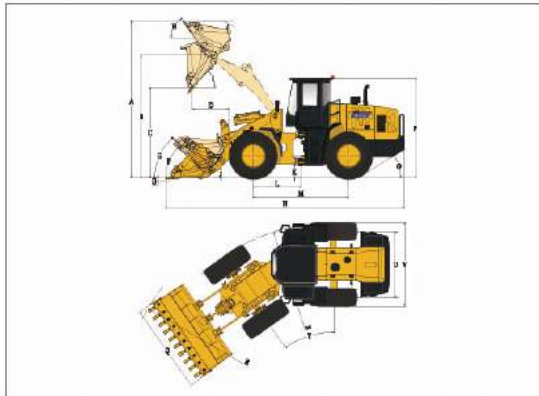
Phone: +375 849960925 15  
E-mail: info@vvn.by  
www.vvn.by

# VVN WL3 111

## overall specifications

### DIMENSIONS

All dimensions are approximate. Dimensions may vary with bucket and tire choice. Refer to operating specifications.



NO.	DESCRIPTION	UNIT	DIMENSIONS
A	Overall Height – Bucket Raised	mm	4790
B	Bucket Pin Height at Max. Lift	mm	3710
C	Dump Clearance at Max. Lift (45°)	mm	2806
D	Reach at Max. Lift and 45° Dump	mm	1170
E	Rack Back Angle at Carry	°	47
F	Rack Back Angle at Ground	°	44
G	Digging Depth	mm	30-40
H	Rack Back Angle at Max. Lift	°	55
I	Dump Angle at Max. Lift	°	45
J	Carry Height	mm	400
K	Ground Clearance	mm	347
L	Center Line of Front Axle to Hitch	mm	1425
M	Wheel Base	mm	2850
N	Overall Length	mm	7520
O	Departure Angle	°	27
P	Height to Top of Cab	mm	3180
Q	Overall Width over Bucket	mm	2500
R	Min. Turning Radius over Bucket	mm	6240
S	Min. Turning Radius over Tires	mm	5680
T	Steering Angle – Left/Right	°	35
U	Width at Tread Center	mm	1850
V	Overall Width over Tires	mm	2320

### OVERALL DATA

Bucket Capacity	1.8m³
Rated Payload	3500kg
Operating Weight	11620±300kg
Traction Force	106±3kN
Breakout Force	103±3kN
LxWxH	7520x2500x3180mm

### ENGINE&ELECTRICAL SYSTEM

Maker/Model	DF CUMMINS/6BTA5.9-C130
Emission Standard	EPA (Tier II)/EU Stage II
Engine Type	4 Stroke, Turbocharged & Charge Air Cooled, Direct Injection, Diesel Engine
Rated Power	97kW(130hp)/2200rpm
Maximum Torque	580N·m/1400rpm
Bore x Stroke (mm)	102x120
No. of Cylinders/Displacement	6/5.9L
Compression Ratio	17.3
Air Cleaner	Dry, Double Elements
Alternator	45Amp
Battery	2-24V/105Ah
Starting Motor	24V/6kW
Heating Capacity (W)	5000W
Cooling Capacity (W)	4700W

### DRIVE TRAIN

Transmission Type	Countershaft Powershift Transmission				
Shift Type	Electronic Powershift Control				
Pressure of Transmission	1.1-1.5MPa				
Torque Converter Type	Single-stage, Single-turbine, 3-element				
Torque Ratio	3.2				
Axles	Rigid Front Axle&Oscillating Rear Axle				
Rear Axle Oscillation (°)	±10°				
Differential	Conventional				
Main Reducer	Spiral Bevel, 1-stage Reduction				
Final Reducer	Planetary Reduction				
Tire	17.5-25 L-3 12PR TT				
Travel Speeds	km/h	1st	2nd	3rd	4th
	Forward	6.5	12.0	32.0	
	Reverse	6.8	12.5	33.5	

### BRAKE SYSTEM

Service Brake	Single Circuit Caliper, Dry Brake
Setting Pressure	0.70-0.78MPa
Parking Brake	Flexible Shaft Controlled Caliper Brake
Emergency Brake	Flexible Shaft Controlled Caliper Brake

### STEERING SYSTEM

Type	Hydraulic Load Sensing System	
Pump	Gear Pump, 246L/min • 2200rpm	
System Pressure	14MPa	
Cylinder	Type	Double Acting
	Bore x Stroke	2-80x315mm
Steering Angle	±35°	

### HYDRAULIC SYSTEM

Type	Single-lever(Joystick) Control			
Pump	Gear Pump, 246L/min • 2200rpm			
Control Valve	2 Spool (Bucket&Boom)			
System Pressure	16MPa			
Cylinder	Lift Cylinder	2-125x784mm		
	Tilt Cylinder	1-140x553mm		
Joystick Control Pressure	2.5MPa			
Cycle Time (Sec)	Raise	Dump	Lower	Total
	5.5	1.3	3.7	10.5

### SERVICE REFILL CAPACITY

Fuel Tank (L)	200L
Hydraulic Tank (L)	173/178 (3rd Spool for Auxiliary Function)
Crankshaft (L)	17L
Transmission (L)	37L
Front Axle/Rear Axle (L)	18.5L/18.5L

### STANDARD EQUIPMENT

DF CUMMINS Engine	Single-lever(Joystick) Control
LONKING Transmission	Standard Lift&Bucket (1.8m³)
Electronic Powershift Control	ROPS&FOPS Cabin
LONKING Axles	Air Conditioner
Flexible Shaft Controlled Caliper Brake(Parking Brake)	Radio&MP3 LCD Display

### OPTIONAL EQUIPMENT

Cold Starting (-35℃)	Quick-change Bucket (1.7m³)
Oil-bath Air Filter	Bucket 1(2.0m³)
17.5R25 ★★ L-3 TL	Enlarged Bucket(2.3m³)
3rd Spool for Auxiliary Function	Coal Bucket(2.5m³)
Double-lever(Joystick) Control for Lift&Tilt&Auxiliary Function	3 Piece Cutting Edge, Bolt-on Type Bucket
Sliding Cabin Window	Log Fork
Electric Heating Rear Window	Grasping Pitchfork
Lockable Oil Tank Cap	Side Dump Bucket
Rear View Camera	Fork(Quick-change Only)
Pressure Testing Connector	4in1 Bucket(Quick-change Only)
High Lift &Additional Counterweight	Snow Blade(Quick-change Only)
Quick-change Coupler	

# VVN

ALL FOR SHOPS AND WAREHOUSES

#### LATVIA

SIA "Viss Veikaliem un Noliktavam"  
41A - 224 Kan davas street, Riga, LV-10 83  
Phone: +371 27727449 ( latvian, english),  
+371 22074120 (l atvian, russian, english),  
+371 20330002 (latvian, russian, english)  
E-mail: info@vvn.lv

www.vvn.lv

#### LITHUANIA

Phone: +370 70066080  
E-mail: info@vvn.lt  
www.vvn.lt

#### NORWAY

Phone: +47 219558 68  
E-mail: info@vngroup.no  
www.vngroup.no

#### ESTONIA

Phone: +372 634633 2,  
+372 63463 42  
E-mail: info@vvn.ee  
www.vvn.ee

#### DENMARK

E-mail: info@vngroup.dk  
www.vngroup.dk

#### FINLAND

Phone: +358 7532633 23  
E-mail: info@vvn.fi  
www.vvn.fi

#### RUSSIA

Phone: +7 849960925 1 5  
E-mail: info@vngroup.ru  
www.vngroup.ru

#### SWEDEN

Phone: +46 107502388  
E-mail: info@vngroup.se  
www.vngroup.se

#### BELARUS

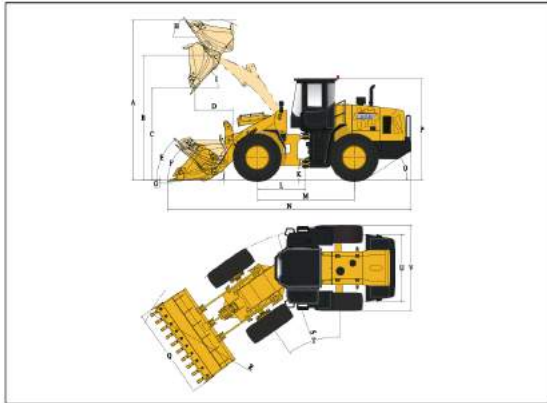
Phone: +375 849960925 1 5  
E-mail: info@vngroup.by  
www.vngroup.by

# VVN WL4 111

## overall specifications

### DIMENSIONS

All dimensions are approximate. Dimensions may vary with bucket and tire choice. Refer to operating specifications.



NO.	DESCRIPTION	UNIT	DIMENSIONS
A	Overall Height – Bucket Raised	mm	6282
B	Bucket Pin Height at Max. Lift	mm	5255
C	Dump Clearance at Max. Lift (45°)	mm	4500
D	Reach at Max. Lift and 45° Dump	mm	2122
E	Rack Back Angle at Carry	°	45
F	Rack Back Angle at Ground	°	43.4
G	Digging Depth	mm	30-40
H	Rack Back Angle at Max. Lift	°	53
I	Dump Angle at Max. Lift	°	40
J	Carry Height	mm	400
K	Ground Clearance	mm	347
L	Center Line of Front Axle to Hitch	mm	1425
M	Wheel Base	mm	2850
N	Overall Length	mm	9250
O	Departure Angle	°	27
P	Height to Top of Cab	mm	3180
Q	Overall Width over Bucket	mm	2500
R	Min. Turning Radius over Bucket	mm	7202
S	Min. Turning Radius over Tires	mm	5680
T	Steering Angle – Left/Right	°	35
U	Width at Tread Center	mm	1850
V	Overall Width over Tires	mm	2320

### OVERALL DATA

Bucket Capacity	2.0m <sup>3</sup>
Rated Payload	1800kg
Operating Weight	11800±300kg
Traction Force	106±3kN
Breakout Force	90±3kN
L×W×H	9250×2500×3180mm

### ENGINE & ELECTRICAL SYSTEM

Maker/Model	WEICHAI/WP6G140E22
Emission Standard	National II
Engine Type	4 Stroke, Turbocharged, Water-cooled, Direct Injection, Diesel Engine
Rated Power	105kW (140hp) / 2200rpm
Maximum Torque	580N·m / 1500rpm
Bore x Stroke (mm)	105×130
No. of Cylinders/Displacement	6/6.75L
Compression Ratio	18.0
Air Cleaner	Three Stage Air Cleaner
Alternator	55Amp
Battery	2-24V/105Ah
Starting Motor	24V/8kW
Heating Capacity (W)	5000W
Cooling Capacity (W)	4700W

### DRIVE TRAIN

Transmission Type	Countershaft Powershift Transmission
Shift Type	Mechanical Powershift Control
Pressure of Transmission	1.1-1.5MPa
Torque Converter Type	Single-stage, Single-turbine, 3-element
Torque Ratio	3.2
Axles	Rigid Front Axle & Oscillating Rear Axle
Rear Axle Oscillation (°)	±10°
Differential	Conventional
Main Reducer	Spiral Bevel, 1-stage Reduction
Final Reducer	Planetary Reduction
Tire	17.5-25 L-3 12PR TT
Travel Speeds	km/h
Forward	1st: 6.5, 2nd: 12.0, 3rd: 32.0, 4th: 33.5
Reverse	6.8

### BRAKE SYSTEM

Service Brake	Single Circuit Caliper, Dry Brake
Setting Pressure	0.70-0.78MPa
Parking Brake	Flexible Shaft Controlled Caliper Brake
Emergency Brake	Flexible Shaft Controlled Caliper Brake

### STEERING SYSTEM

Type	Hydraulic Load Sensing System
Pump	Gear Pump, 246L/min • 2200rpm
System Pressure	14MPa
Cylinder	Type: Double Acting Bore x Stroke: 2-80×315mm
Steering Angle	±35°

### HYDRAULIC SYSTEM

Type	Single-lever (Joystick) Control
Pump	Gear Pump, 246L/min • 2200rpm
Control Valve	2 Spool (Bucket & Boom)
System Pressure	16MPa
Cylinder	Lift Cylinder: 2-125×700mm Tilt Cylinder: 1-140×493mm
No. Bore x stroke	
Joystick Control Pressure	2.5MPa
Cycle Time (Sec)	Raise: 5.5, Dump: 1.3, Lower: 3.7, Total: 10.5

### SERVICE REFILL CAPACITY

Fuel Tank (L)	200L
Hydraulic Tank (L)	173/178 (3rd Spool for Auxiliary Function)
Crankshaft (L)	17L
Transmission (L)	37L
Front Axle/Rear Axle (L)	18.5L/18.5L

### STANDARD EQUIPMENT

WEICHAI Engine	Single-lever (Joystick) Control
LONKING Transmission	Standard Lift & Bucket (1.7m <sup>3</sup> )
Mechanical Powershift Control	ROPS & FOPS Cabin
LONKING Axles	Air Conditioner
Flexible Shaft Controlled Caliper Brake (Parking Brake)	Radio & MP3 LCD Display

### OPTIONAL EQUIPMENT

Cold Starting (-35°C)	
Oil-bath Air Filter	
17.5R25 ★★ L-3 TL	
Sliding Cabin Window	
Electric Heating Rear Window	
Lockable Oil Tank Cap	
Rear View Camera	
Pressure Testing Connector	
Bucket 1 (2.0m <sup>3</sup> )	
Enlarged Bucket (2.3m <sup>3</sup> )	
Bucket (3 Piece Cutting Edges)	

# VVN

ALL FOR SHOPS AND WAREHOUSES

#### LATVIA

SIA "Viss Veikaliem un Noliktavam"  
41A - 224 Kan davas street, Riga, LV-10 83  
Phone: +371 27727449 (Latvian, English),  
+371 22074120 (Latvian, Russian, English),  
+371 20330002 (Latvian, Russian, English)  
E-mail: info@vvn.lv

www.vvn.lv

#### LITHUANIA

Phone: +370 70066080  
E-mail: info@vvn.lt  
www.vvn.lt

#### NORWAY

Phone: +47 219558 68  
E-mail: info@vvn.no  
www.vvn.no

#### ESTONIA

Phone: +372 634633 2,  
+372 63463 42  
E-mail: info@vvn.ee  
www.vvn.ee

#### DENMARK

E-mail: info@vvn.dk  
www.vvn.dk

#### FINLAND

Phone: +358 7532633 23  
E-mail: info@vvn.fi  
www.vvn.fi

#### RUSSIA

Phone: +7 849960925 15  
E-mail: info@vvn.ru  
www.vvn.ru

#### SWEDEN

Phone: +46 107502388  
E-mail: info@vvn.se  
www.vvn.se

#### BELARUS

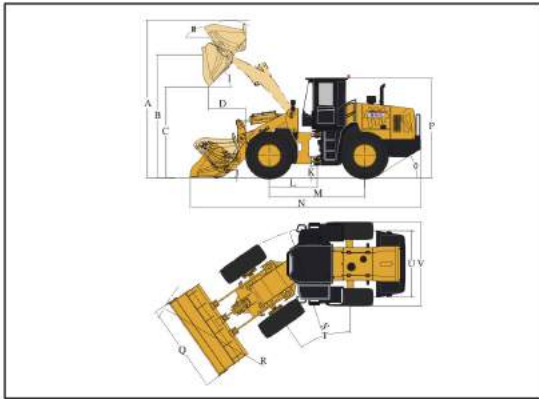
Phone: +375 849960925 15  
E-mail: info@vvn.by  
www.vvn.by

# VVN WL 112

## overall specifications

### DIMENSIONS

All dimensions are approximate, Dimensions may vary with bucket and tire choice, Refer to operating specifications.



NO.	DESCRIPTION	UNIT	NTG
A	Overall Height – Bucket Raised	mm	6355
B	Bucket Pin Height at Max. Lift	mm	5265
C	Dump Clearance at Max. Lift ( 45°)	mm	4500
D	Reach at Max. Lift and 45° Dump	mm	2440
E	Rack Back Angle at Carry	°	37
F	Rack Back Angle at Ground	°	32
G	Digging Depth	mm	30-40
H	Rack Back Angle at Max. Lift	°	47
I	Dump Angle at Max. Lift	°	42
J	Carry Height	mm	412
K	Ground Clearance	mm	345
L	Center Line of Front Axle to Hitch	mm	1425
M	Wheel Base	mm	2850
N	Overall Length	mm	9330
O	Departure Angle	°	26
P	Height to Top of Cab	mm	3150
Q	Overall Width over Bucket	mm	2500
R	Min. Turning Radius over Bucket	mm	7400
S	Min. Turning Radius over Tires	mm	5675
T	Steering Angle – Left/Right	°	35
U	Width at Tread Center	mm	1850
V	Overall Width over Tires	mm	2320

### OVERALL DATA

Bucket Capacity	1.8m <sup>3</sup>
Rated Payload	1500kg
Operating Weight	12200±300kg
Traction Force	97±3kN
Breakout Force	90±3kN
L×W×H(mm)	9330×2500×3150

### ENGINE&ELECTRICAL SYSTEM

Maker/Model	WEICHAIW/P6G125E22
Emission Standard	National ☒
Engine Type	4 Stroke, Turbocharged, Water-cooled, Direct Injection, Diesel Engine
Rated Power	92kW(125hp)/2200rpm
Maximum Torque	500N·m/1400-1600rpm
Bore x Stroke (mm)	105×130
No. of Cylinders/Displacement	6/6.75L
Compression Ratio	18.0
Air Cleaner	Three Stage Air Cleaner
Alternator	55Amp
Battery	2-24V/105Ah
Starting Motor	24V/6kW
Heating Capacity (W)	5000W
Cooling Capacity (W)	4700W

### DRIVE TRAIN

Transmission Type	Countershaft Powershift Transmission				
Shift Type	Mechanical Powershift Control				
Pressure of Transmission	1.1-1.5MPa				
Torque Converter Type	Single-stage, Single-turbine, 3-element				
Torque Ratio	3.2				
Axles	Rigid Front Axle&Oscillating Rear Axle				
Rear Axle Oscillation (°)	±10°				
Differential	Conventional				
Main Reducer	Spiral Bevel, 1-stage Reduction				
Final Reducer	Planetary Reduction				
Tire	17.5-25 L-3 12PR TT				
Travel Speeds	km/h	1st	2nd	3rd	4th
	Forward	7	12	24	36
	Reverse	8.5	28		

### BRAKE SYSTEM

Service Brake	Single Circuit Caliper, Dry Brake
Setting Pressure	0.70-0.78MPa
Parking Brake	Flexible Shaft Controlled Caliper Brake
Emergency Brake	Flexible Shaft Controlled Caliper Brake

### STEERING SYSTEM

Type	Hydraulic Load Sensing System	
Pump	Gear Pump, 246L/min • 2200rpm	
System Pressure	14MPa	
Cylinder	Type	Double Acting
	Bore x Stroke	2-80×315mm
Steering Angle	±35°	

### HYDRAULIC SYSTEM

Type	Mechanical Shift Control			
Pump	Gear Pump, 246L/min • 2200rpm			
Control Valve	2 Spool (Bucket&Boom)			
System Pressure	16MPa			
Cylinder	Lift Cylinder	2-125×700mm		
	Tilt Cylinder	1-140×493mm		
No.-Bore x stroke		2.5MPa		
Joystick Control Pressure(Optional)				
Cycle Time (Sec)	Raise	Dump	Lower	Total
	5.5	1.3	3.7	10.5

### SERVICE REFILL CAPACITY

Fuel Tank (L)	200L
Hydraulic Tank (L)	150/155(3 <sup>rd</sup> Spool for Auxiliary Function)L
Crankshaft (L)	17L
Transmission (L)	31L
Front Axle/Rear Axle (L)	18.5L/18.5L

### STANDARD EQUIPMENT

WEICHAJ Engine	Mechanical Shift Control
4F/2R LONKING Transmission	Standard Lift&Bucket (1.8m <sup>3</sup> )
Mechanical Powershift Control	ROPS&FOPS Cabin
LONKING Axles	Mechanical Instrument Panel
Flexible Shaft Controlled Caliper Brake(Parking Brake)	

### OPTIONAL EQUIPMENT

Joystick Control	Rear View Camera
3F/3R LONKING Transmission	Pressure Testing Connector
Air Conditioner	Bucket 1(2.0m <sup>3</sup> )
Radio/MP3	Enlarged Bucket(2.3m <sup>3</sup> )
Cold Starting (-35 ℃ )	Coal Bucket(2.5m <sup>3</sup> )
Oil-bath Air Filter	
17.5R25 ★★ L-3 TL	
3 <sup>rd</sup> Spool for Auxiliary Function	
3-lever Control for Lift&Tilt&Auxiliary Function	
Sliding Cabin Window	
Electric Heating Rear Window	
Lockable Oil Tank Cap	



ALL FOR SHOPS AND WAREHOUSES

#### LATVIA

SIA "Viss Veikaliem un Noliktavam"  
41A - 224 Kan davas street, Riga, LV-10 83  
Phone: +371 27727449 ( latvian, english),  
+371 22074120 (l atvian, russian, english),  
+371 20330002 (latvian, russian, english)  
E-mail: info@vvn.lv

www.vvn.lv

#### LITHUANIA

Phone: +370 70066080  
E-mail: info@vvn.lt  
www.vvn.lt

#### NORWAY

Phone: +47 219558 68  
E-mail: info@vvn.no  
www.vvn.no

#### ESTONIA

Phone: +372 634633 2,  
+372 63463 42  
E-mail: info@vvn.ee  
www.vvn.ee

#### DENMARK

E-mail: info@vvn.dk  
www.vvn.dk

#### FINLAND

Phone: +358 7532633 23  
E-mail: info@vvn.fi  
www.vvn.fi

#### RUSSIA

Phone: +7 849960925 1 5  
E-mail: info@vvn.ru  
www.vvn.ru

#### SWEDEN

Phone: +46 107502388  
E-mail: info@vvn.se  
www.vvn.se

#### BELARUS

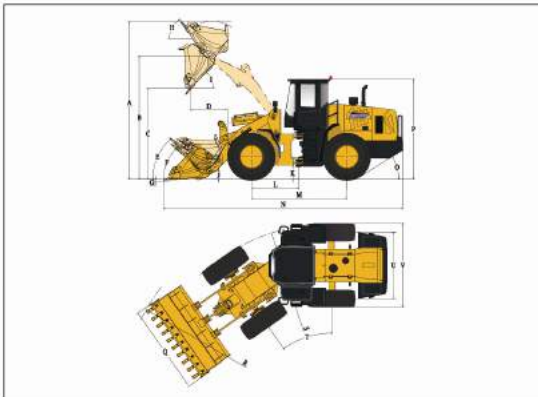
Phone: +375 849960925 1 5  
E-mail: info@vvn.by  
www.vvn.by

# VVN WL 113

## overall specifications

### DIMENSIONS

All dimensions are approximate. Dimensions may vary with bucket and tire choice. Refer to operating specifications.



NO.	DESCRIPTION	UNIT	DIMENSIONS
A	Overall Height – Bucket Raised	mm	4898
B	Bucket Pin Height at Max. Lift	mm	3767
C	Dump Clearance at Max. Lift ( 45°)	mm	2915
D	Reach at Max. Lift and 45° Dump	mm	1110
E	Rack Back Angle at Carry	°	51
F	Rack Back Angle at Ground	°	45
G	Digging Depth	mm	40-45
H	Rack Back Angle at Max. Lift	°	47
I	Dump Angle at Max. Lift	°	45
J	Carry Height	mm	400
K	Ground Clearance	mm	567
L	Center Line of Front Axle to Hitch	mm	1070
M	Wheel Base	mm	2950
N	Overall Length	mm	7270
O	Departure Angle	°	30
P	Height to Top of Cab	mm	3300
Q	Overall Width over Bucket	mm	2800
R	Min. Turning Radius over Bucket	mm	7812
S	Min. Turning Radius over Tires	mm	5837
T	Steering Angle – Left/Right	°	35
U	Width at Tread Center	mm	2060
V	Overall Width over Tires	mm	2580

### OVERALL DATA

Bucket Capacity	2.3m <sup>3</sup>
Rated Payload	4000kg
Operating Weight	13000±300kg
Traction Force	120±3kN
Breakout Force	115±3kN
L×W×H	7270×2800×3300mm

### ENGINE&ELECTRICAL SYSTEM

Maker/Model	WEICHAI/WP6G175E22
Emission Standard	EPA (Tier II)/National II
Engine Type	4 Stroke, Turbocharged, Water-cooled, Direct Injection, Diesel Engine
Rated Power	129kW(175hp)/2200rpm
Maximum Torque	700N·m/1300-1500rpm
Bore x Stroke (mm)	105×130
No. of Cylinders/Displacement	6/6.75L
Compression Ratio	18.0
Air Cleaner	Three Stage Air Cleaner
Alternator	55Amp
Battery	2-24V/105Ah
Starting Motor	24V/6kW
Heating Capacity (W)	5000W
Cooling Capacity (W)	4700W

### DRIVE TRAIN

Transmission Type	Planetary Powershift Transmission				
Shift Type	Mechanical Powershift Control				
Pressure of Transmission	1.2-1.5MPa				
Torque Converter Type	Single-stage, Duo-turbine, 4-element				
Torque Ratio	4.0				
Axles	Rigid Front Axle&Oscillating Rear Axle				
Rear Axle Oscillation (°)	±10°				
Differential	Conventional				
Main Reducer	Spiral Bevel, 1-stage Reduction				
Final Reducer	Planetary Reduction				
Tire	20.5-25 L-3 16PR TT				
Travel Speeds	km/h	1st	2nd	3rd	4th
	Forward	11.5	36		
	Reverse	16			

### BRAKE SYSTEM

Service Brake	Single Circuit Caliper, Dry Brake
Setting Pressure	0.70-0.78MPa
Parking Brake	Flexible Shaft Controlled Caliper Brake
Emergency Brake	Flexible Shaft Controlled Caliper Brake

### STEERING SYSTEM

Type	Hydraulic Load Sensing System	
Pump	Gear Pump, 138L/min • 2200rpm	
System Pressure	16MPa	
Cylinder	Type	Double Acting
	Bore x Stroke	2.90×340mm
Steering Angle	±35°	

### HYDRAULIC SYSTEM

Type	Single-lever(Joystick) Control			
Pump	Gear Pump, 110L/min • 2200rpm			
Control Valve	2 Spool (Bucket&Boom)			
System Pressure	16MPa			
Cylinder	Lift Cylinder	2.125×769mm		
	Tilt Cylinder	1-160×495mm		
No. Bore x stroke				
Joystick Control Pressure	2.5MPa			
Cycle Time (Sec)	Raise	Dump	Lower	Total
	6.0	1.2	4.3	11.5

### SERVICE REFILL CAPACITY

Fuel Tank (L)	240L
Hydraulic Tank (L)	220/225 (3 <sup>rd</sup> Spool for Auxiliary Function)L
Crankshaft (L)	17L
Transmission (L)	46L
Front Axle/Rear Axle (L)	23L/23L

### STANDARD EQUIPMENT

WEICHAI Engine	Single-lever(Joystick) Control
LONKING Transmission	Standard Lift&Bucket (2.3m <sup>3</sup> )
Mechanical Powershift Control	ROPS&FOPS Cabin
LONKING Axles	Air Conditioner
Flexible Shaft Controlled Caliper Brake(Parking Brake)	Radio&MP3
	Mechanical Instrument Panel

### OPTIONAL EQUIPMENT

Cold Starting (-35℃)	Warm-air Machine
Oil-bath Air Filter	High Lift &Additional Counterweight
20.5R25 ★★ L-3 TL	Quick-change Coupler
3 <sup>rd</sup> Spool for Auxiliary Function	Quick-change Bucket(2.3m <sup>3</sup> )
Sliding Cabin Window	3 Piece Cutting Edge • Bolt-on Type Bucket
Electric Heating Rear Window	Enlarged Bucket(2.5m <sup>3</sup> )
Lockable Oil Tank Cap	Side Jump Bucket(2.0m <sup>3</sup> )
Rear View Camera	Fan in Cabin
Pressure Testing Connector	



ALL FOR SHOPS AND WAREHOUSES

#### LATVIA

SIA "Viss Veikaliem un Noliktavam"  
41A - 224 Kan davas street, Riga, LV-10 83  
Phone: +371 27727449 ( latvian, english),  
+371 22074120 (l atvian, russian, english),  
+371 20330002 (latvian, russian, english)  
E-mail: info@vvn.lv

www.vvn.lv

#### LITHUANIA

Phone: +370 70066080  
E-mail: info@vvn.lt  
www.vvn.lt

#### NORWAY

Phone: +47 219558 68  
E-mail: info@vvn.no  
www.vvn.no

#### ESTONIA

Phone: +372 634633 2,  
+372 63463 42  
E-mail: info@vvn.ee  
www.vvn.ee

#### DENMARK

E-mail: info@vvn.dk  
www.vvn.dk

#### FINLAND

Phone: +358 7532633 23  
E-mail: info@vvn.fi  
www.vvn.fi

#### RUSSIA

Phone: +7 849960925 1 5  
E-mail: info@vvn.ru  
www.vvn.ru

#### SWEDEN

Phone: +46 107502388  
E-mail: info@vvn.se  
www.vvn.se

#### BELARUS

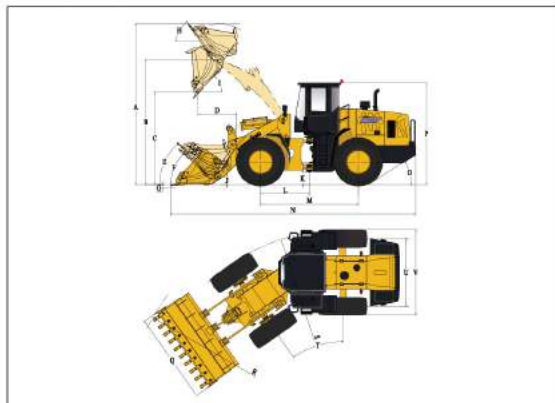
Phone: +375 849960925 1 5  
E-mail: info@vvn.by  
www.vvn.by

# VVN WL 115

## overall specifications

### DIMENSIONS

All dimensions are approximate. Dimensions may vary with bucket and tire choice. Refer to operating specifications.



NO.	DESCRIPTION	UNIT	DIMENSIONS
A	Overall Height – Bucket Raised	mm	5283
B	Bucket Pin Height at Max. Lift	mm	4136
C	Dump Clearance at Max. Lift ( 45°)	mm	3078
D	Reach at Max. Lift and 45° Dump	mm	1190
E	Rack Back Angle at Carry	°	48.3
F	Rack Back Angle at Ground	°	45
G	Digging Depth	mm	45
H	Rack Back Angle at Max. Lift	°	52.6
I	Dump Angle at Max. Lift	°	45
J	Carry Height	mm	400
K	Ground Clearance	mm	556
L	Center Line of Front Axle to Hitch	mm	1120
M	Wheel Base	mm	2930
N	Overall Length	mm	7760
O	Departure Angle	°	28.6
P	Height to Top of Cab	mm	3380
Q	Overall Width over Bucket	mm	3000
R	Min. Turning Radius over Bucket	mm	6805
S	Min. Turning Radius over Tires	mm	6182 (Front Tire) 5957 (Rear Tire)
T	Steering Angle – Left/Right	°	35
U	Width at Tread Center	mm	2240
V	Overall Width over Tires	mm	2835

### OVERALL DATA

Bucket Capacity	2.7m <sup>3</sup>
Rated Payload	5000kg
Operating Weight	15800±300kg
Traction Force	155±3kN
Breakout Force	155±3kN
L×W×H	7760×3000×3380mm

### ENGINE&ELECTRICAL SYSTEM

Maker/Model	WEICHAI/WD10G220E21
Emission Standard	EPA (Tier II )/National II
Engine Type	4 Stroke, Turbocharged, Water-cooled, Direct Injection, Diesel Engine
Rated Power	162kW(220hp)/2200rpm
Maximum Torque	860N·m/1400-1600rpm
Bore x Stroke (mm)	126×130
No. of Cylinders/Displacement	6/9.726L
Compression Ratio	17.0
Air Cleaner	Three Stage Air Cleaner with Cyclone Pre-cleaner
Alternator	55Amp
Battery	2-24V/120Ah
Starting Motor	24V/7.5kW
Heating Capacity (W)	5000W
Cooling Capacity (W)	4700W

### DRIVE TRAIN

Transmission Type	Planetary Powershift Transmission				
Shift Type	Mechanical Powershift Control				
Pressure of Transmission	1.2-1.5MPa				
Torque Converter Type	Single-stage, Duo-turbine, 4-element				
Torque Ratio	4.0				
Axles	Rigid Front Axle&Oscillating Rear Axle				
Rear Axle Oscillation (°)	±10°				
Differential	Conventional				
Main Reducer	Spiral Bevel, 1-stage Reduction				
Final Reducer	Planetary Reduction				
Tire	23.5-25 L-3 16PR TT				
Travel Speeds	km/h	1st	2nd	3rd	4th
	Forward	11.5	36		
	Reverse	16			

### BRAKE SYSTEM

Service Brake	Single Circuit Caliper, Dry Brake
Setting Pressure	0.70-0.78MPa
Parking Brake	Flexible Shaft Controlled Caliper Brake
Emergency Brake	Flexible Shaft Controlled Caliper Brake

### STEERING SYSTEM

Type	Hydraulic Load Sensing System		
Pump	Gear Pump, 152L/min • 2200rpm		
System Pressure	15MPa		
Cylinder	Type	Double Acting	
	Bore x Stroke	2-90×324mm	
Steering Angle	±35°		

### HYDRAULIC SYSTEM

Type	Single-lever(Joystick) Control			
Pump	Gear Pump, 190L/min • 2200rpm			
Control Valve	2 Spool (Bucket&Boom)			
System Pressure	16MPa			
Cylinder	Lift Cylinder	2-160×836mm		
	Tilt Cylinder	1-180×559mm		
Joystick Control Pressure	2.5MPa			
Cycle Time (Sec)	Raise	Dump	Lower	Total
	6.0	1.2	4.3	11.5

### SERVICE REFILL CAPACITY

Fuel Tank (L)	280L
Hydraulic Tank (L)	245/250 (3 <sup>rd</sup> Spool for Auxiliary Function)L
Crankshaft (L)	20L
Transmission (L)	46L
Front Axle/Rear Axle (L)	28L/28L

### STANDARD EQUIPMENT

WEICHAI Engine	Single-lever(Joystick) Control
LONKING Transmission	Standard Lift&Bucket (2.7m <sup>3</sup> )
Mechanical Powershift Control	ROPS&FOPS Cabin&Beacon
LONKING Axles	Air Conditioner
Flexible Shaft Controlled Caliper Brake(Parking Brake)	Radio/MP3 LCD Display

### OPTIONAL EQUIPMENT

Cold Starting (-35℃)	High Lift &Additional Counterweight
Oil-bath Air Filter	Quick-change Coupler
Radial Tire	Quick-change Bucket(2.7m <sup>3</sup> )
3 <sup>rd</sup> Spool for Auxiliary Function	3 Piece Cutting Edge, Bolt-on Type Bucket
Sliding Cabin Window	Russian Bucket(3.0m <sup>3</sup> )
Electric Heating Rear Window	Enlarged Bucket
Lockable Oil Tank Cap	Coal Bucket(4.2m <sup>3</sup> )
Rear View Camera	Side Dump Bucket(2.5m <sup>3</sup> )
Pressure Testing Connector	Fan in Cabin
Warm-air Machine	



ALL FOR SHOPS AND WAREHOUSES

#### LATVIA

SIA "Viss Veikaliem un Noliktavam"  
41A - 224 Kan davas street, Riga, LV-10 83  
Phone: +371 27727449 ( latvian, english),  
+371 22074120 (l atvian, russian, english),  
+371 20330002 (latvian, russian, english)  
E-mail: info@vvn.lv

www.vvn.lv

#### LITHUANIA

Phone: +370 70066080  
E-mail: info@vvn.lt  
www.vvn.lt

#### NORWAY

Phone: +47 219558 68  
E-mail: info@vngroup.no  
www.vngroup.no

#### ESTONIA

Phone: +372 634633 2,  
+372 63463 42  
E-mail: info@vvn.ee  
www.vvn.ee

#### DENMARK

E-mail: info@vngroup.dk  
www.vngroup.dk

#### FINLAND

Phone: +358 7532633 23  
E-mail: info@vvn.fi  
www.vvn.fi

#### RUSSIA

Phone: +7 849960925 1 5  
E-mail: info@vngroup.ru  
www.vngroup.ru

#### SWEDEN

Phone: +46 107502388  
E-mail: info@vngroup.se  
www.vngroup.se

#### BELARUS

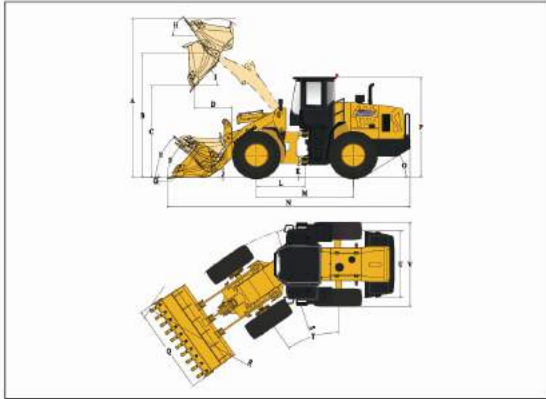
Phone: +375 849960925 1 5  
E-mail: info@vngroup.by  
www.vngroup.by

# VVN WL 116

## overall specifications

### DIMENSIONS

All dimensions are approximate. Dimensions may vary with bucket and tire choice. Refer to operating specifications.



NO.	DESCRIPTION	UNIT	DIMENSIONS
A	Overall Height – Bucket Raised	mm	5275
B	Bucket Pin Height at Max. Lift	mm	4119
C	Dump Clearance at Max. Lift ( 45°)	mm	3062
D	Reach at Max. Lift and 45° Dump	mm	1276
E	Rack Back Angle at Carry	°	48
F	Rack Back Angle at Ground	°	45
G	Digging Depth	mm	50
H	Rack Back Angle at Max. Lift	°	53
I	Dump Angle at Max. Lift	°	45
J	Carry Height	mm	400
K	Ground Clearance	mm	409
L	Center Line of Front Axle to Hitch	mm	1615
M	Wheel Base	mm	3230
N	Overall Length	mm	8015
O	Departure Angle	°	32
P	Height to Top of Cab	mm	3380
Q	Overall Width over Bucket	mm	3000
R	Min. Turning Radius over Bucket	mm	7170
S	Min. Turning Radius over Tires	mm	6537.5
T	Steering Angle – Left/Right	°	35
U	Width at Tread Center	mm	2240
V	Overall Width over Tires	mm	2835

### OVERALL DATA

Bucket Capacity	3.0m <sup>3</sup>
Rated Payload	5000kg
Operating Weight	16800±300kg
Traction Force	155±3kN
Breakout Force	170±3kN
L×W×H	8015×3000×3380mm

### ENGINE&ELECTRICAL SYSTEM

Maker/Model	WEICHAH/WD10G220E21
Emission Standard	EPA (Tier II )/National II
Engine Type	4 Stroke, Turbocharged, Water-cooled, Direct Injection, Diesel Engine
Rated Power	162kW(220hp)/2200rpm
Maximum Torque	860N·m/1400-1600rpm
Bore x Stroke (mm)	126×130
No. of Cylinders/Displacement	6/9.726L
Compression Ratio	17.0
Air Cleaner	Three Stage Air Cleaner with Cyclone Pre-cleaner
Alternator	55Amp
Battery	2-24V/120Ah
Starting Motor	24V/7.5kW
Heating Capacity (W)-OPTIONAL	5000W
Cooling Capacity (W)-OPTIONAL	4700W

### DRIVE TRAIN

Transmission Type	Planetary Powershift Transmission				
Shift Type	Mechanical Powershift Control				
Pressure of Transmission	1.2-1.5MPa				
Torque Converter Type	Single-stage, Duo-turbine, 4-element				
Torque Ratio	4.0				
Axles	Rigid Front Axle&Oscillating Rear Axle				
Rear Axle Oscillation (°)	±10°				
Differential	Conventional				
Main Reducer	Spiral Bevel, 1-stage Reduction				
Final Reducer	Planetary Reduction				
Tire	23.5-25 L-3 16PR TT				
Travel Speeds	km/h	1st	2nd	3rd	4th
	Forward	11.5	36		
	Reverse	16			

### BRAKE SYSTEM

Service Brake	Single Circuit Caliper, Dry Brake
Setting Pressure	0.70-0.78MPa
Parking Brake	Flexible Shaft Controlled Caliper Brake
Emergency Brake	Flexible Shaft Controlled Caliper Brake

### STEERING SYSTEM

Type	Hydraulic Load Sensing System		
Pump	Gear Pump, 176L/min • 2200rpm		
System Pressure	15MPa		
Cylinder	Type	Double Acting	
	Bore x Stroke	2-100×324mm	
Steering Angle	±35°		

### HYDRAULIC SYSTEM

Type	Mechanical Shift Control			
Pump	Gear Pump, 220L/min • 2200rpm			
Control Valve	2 Spool (Bucket&Boom)			
System Pressure	16MPa			
Cylinder	Lift Cylinder	2-180×721mm		
	Tilt Cylinder	1-200×563mm		
No. Bore x stroke				
Joystick Control Pressure				
Cycle Time (Sec)	Raise	Dump	Lower	Total
	6.0	1.0	4.0	11.0

### SERVICE REFILL CAPACITY

Fuel Tank (L)	285L
Hydraulic Tank (L)	265/270 (3 <sup>rd</sup> Spool for Auxiliary Function)L
Crankshaft (L)	20L
Transmission (L)	46L
Front Axle/Rear Axle (L)	28L/28L

### STANDARD EQUIPMENT

WEICHAH Engine	Flexible Shaft Controlled Caliper Brake
LONKING Transmission	Standard Lift&Bucket (3.0m <sup>3</sup> )
Mechanical Powershift Control	ROPS&FOPS Cabin
LONKING Axles	Mechanical Instrument Panel
Mechanical Shift Control(2 Spool)	Warm-air Machine

### OPTIONAL EQUIPMENT

Cold Starting (-35°C)	Quick-change Coupler
Oil-bath Air Filter	Quick-change Bucket
23.5R25 ★★ L-3 TL	3 Piece Cutting Edge, Bolt-on Type Bucket
23.5R25 ★★ L-5 TL	Rock Bucket(3.0m <sup>3</sup> )
3 <sup>rd</sup> Spool for Auxiliary Function	Enlarged Bucket(3.5m <sup>3</sup> )
Sliding Cabin Window	Coal Bucket(4.2m <sup>3</sup> )
Electric Heating Rear Window	Log Fork
Lockable Oil Tank Cap	Grasping Pitchfork
Rear View Camera	Side Dump Bucket(2.5m <sup>3</sup> )
Pressure Testing Connector	Marble Fork
Air Conditioner	Fork (Quick-change Only)
Radio/MP3	4in1 Bucket (Quick-change Only)
High Lift & Additional Counterweight	Snow Blade (Quick-change Only)



ALL FOR SHOPS AND WAREHOUSES

#### LATVIA

SIA "Viss Veikaliem un Noliktavam"  
41A - 224 Kan davas street, Riga, LV-10 83  
Phone: +371 27727449 ( latvian, english),  
+371 22074120 (l atvian, russian, english),  
+371 20330002 (latvian, russian, english)  
E-mail: info@vvn.lv

www.vvn.lv

#### LITHUANIA

Phone: +370 70066080  
E-mail: info@vvn.lt  
www.vvn.lt

#### NORWAY

Phone: +47 219558 68  
E-mail: info@vvn.no  
www.vvn.no

#### ESTONIA

Phone: +372 634633 2,  
+372 63463 42  
E-mail: info@vvn.ee  
www.vvn.ee

#### DENMARK

E-mail: info@vvn.dk  
www.vvn.dk

#### FINLAND

Phone: +358 7532633 23  
E-mail: info@vvn.fi  
www.vvn.fi

#### RUSSIA

Phone: +7 849960925 1 5  
E-mail: info@vvn.ru  
www.vvn.ru

#### SWEDEN

Phone: +46 107502388  
E-mail: info@vvn.se  
www.vvn.se

#### BELARUS

Phone: +375 849960925 1 5  
E-mail: info@vvn.by  
www.vvn.by

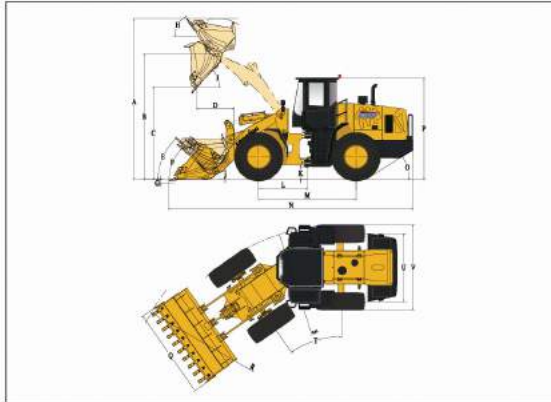


# VVN WL 117

## overall specifications

### DIMENSIONS

All dimensions are approximate. Dimensions may vary with bucket and tire choice. Refer to operating specifications.



NO.	DESCRIPTION	UNIT	DIMENSIONS
A	Overall Height – Bucket Raised	mm	5323
B	Bucket Pin Height at Max. Lift	mm	4163
C	Dump Clearance at Max. Lift ( 45°)	mm	3080
D	Reach at Max. Lift and 45° Dump	mm	1256
E	Rack Back Angle at Carry	°	48
F	Rack Back Angle at Ground	°	45
G	Digging Depth	mm	50
H	Rack Back Angle at Max. Lift	°	53
I	Dump Angle at Max. Lift	°	45
J	Carry Height	mm	400
K	Ground Clearance	mm	409
L	Center Line of Front Axle to Hitch	mm	1615
M	Wheel Base	mm	3230
N	Overall Length	mm	8150
O	Departure Angle	°	32
P	Height to Top of Cab	mm	3380
Q	Overall Width over Bucket	mm	3010
R	Min. Turning Radius over Bucket	mm	7106
S	Min. Turning Radius over Tires	mm	6537.5
T	Steering Angle – Left/Right	°	35
U	Width at Tread Center	mm	2240
V	Overall Width over Tires	mm	2835

### OVERALL DATA

Bucket Capacity	3.0m³
Rated Payload	5000kg
Operating Weight	17200±300kg
Traction Force	155±3kN
Breakout Force	170±3kN
L×W×H	8150×3010×3380mm

### ENGINE&ELECTRICAL SYSTEM

Maker/Model	WEICHAI/WD10G220E21
Emission Standard	EPA (Tier II )/National II
Engine Type	4 Stroke, Turbocharged, Water-cooled, Direct Injection, Diesel Engine
Rated Power	162kW(220hp)/2200rpm
Maximum Torque	860N·m/1400-1600rpm
Bore x Stroke (mm)	126×130
No. of Cylinders/Displacement	6/9.726L
Compression Ratio	17.0
Air Cleaner	Three Stage Air Cleaner with Cyclone Pre-cleaner
Alternator	55Amp
Battery	2-24V/120Ah
Starting Motor	24V/7.5kW
Heating Capacity (W)-OPTIONAL	5000W
Cooling Capacity (W)-OPTIONAL	4700W

### DRIVE TRAIN

Transmission Type	Planetary Powershift Transmission				
Shift Type	Mechanical Powershift Control				
Pressure of Transmission	1.2-1.5MPa				
Torque Converter Type	Single-stage, Duo-turbine, 4-element				
Torque Ratio	4.0				
Axles	Rigid Front Axle&Oscillating Rear Axle				
Rear Axle Oscillation (°)	±10°				
Differential	Conventional				
Main Reducer	Spiral Bevel, 1-stage Reduction				
Final Reducer	Planetary Reduction				
Tire	23.5-25 L-3 16PR TT				
Travel Speeds	km/h	1st	2nd	3rd	4th
Forward	11.5	36			
Reverse	16				

### BRAKE SYSTEM

Service Brake	Single Circuit Caliper, Dry Brake
Setting Pressure	0.70-0.78MPa
Parking Brake	Air Actuated Caliper Brake
Emergency Brake	Air Actuated Caliper Brake

### STEERING SYSTEM

Type	Hydraulic Load Sensing System	
Pump	Gear Pump, 176L/min • 2200rpm	
System Pressure	15MPa	
Cylinder	Type	Double Acting
Bore x Stroke	2-100×324mm	
Steering Angle	±35°	

### HYDRAULIC SYSTEM

Type	Single-lever(Joystick) Control			
Pump	Gear Pump, 220L/min • 2200rpm			
Control Valve	2 Spool (Bucket&Boom)			
System Pressure	16MPa			
Cylinder	Lift Cylinder	2-180×721mm		
No.-Bore x stroke	Tilt Cylinder	1-200×563mm		
Joystick Control Pressure	2.5MPa			
Cycle Time (Sec)	Raise	Dump	Lower	Total
	6.0	1.0	4.0	11.0

### SERVICE REFILL CAPACITY

Fuel Tank (L)	285L
Hydraulic Tank (L)	270/275 (3 <sup>rd</sup> Spool for Auxiliary Function)
Crankshaft (L)	20L
Transmission (L)	46L
Front Axle/Rear Axle (L)	28L/28L

### STANDARD EQUIPMENT

WEICHAI Engine	Air Actuated Caliper Brake
LONKING Transmission	Standard Lift&Bucket (3.0m³)
Mechanical Powershift Control	ROPS&FOPS Cabin
LONKING Axles	Mechanical Instrument Panel
Joystick Control(2 Spool)	Warm-air Machine

### OPTIONAL EQUIPMENT

Cold Starting (-35℃)	Quick-change Coupler
Oil-bath Air Filter	Quick-change Bucket
23.5R25 ★★ L-3 TL	Rock Bucket(3.0m³)
23.5R25 ★★ L-5 TL	3 Piece Cutting Edge, Bolt-on Type Bucket
Automatic Leveling&Limited Lifting Position	Enlarged Bucket(3.5m³)
3 <sup>rd</sup> Spool for Auxiliary Function	Coal Bucket(4.2m³)
Sliding Cabin Window	Log Fork
Electric Heating Rear Window	Grasping Pitchfork
Lockable Oil Tank Cap	Side Dump Bucket(2.5m³)
Rear View Camera	Marble Fork
Pressure Testing Connector	Fork(Quick-change Only)
Air Conditioner	4in1 Bucket(Quick-change Only)
Radio/MP3	Snow Blade(Quick-change Only)
High Lift &Additional Counterweight	



ALL FOR SHOPS AND WAREHOUSES

#### LATVIA

SIA "Viss Veikaliem un Noliktavam"  
41A - 224 Kan davas street, Riga, LV-10 83  
Phone: +371 27727449 ( latvian, english),  
+371 22074120 (l atvian, russian, english),  
+371 20330002 (latvian, russian, english)  
E-mail: info@vvn.lv

www.vvn.lv

#### LITHUANIA

Phone: +370 70066080  
E-mail: info@vvn.lt  
www.vvn.lt

#### NORWAY

Phone: +47 219558 68  
E-mail: info@vngroup.no  
www.vngroup.no

#### ESTONIA

Phone: +372 634633 2,  
+372 63463 42  
E-mail: info@vvn.ee  
www.vvn.ee

#### DENMARK

E-mail: info@vngroup.dk  
www.vngroup.dk

#### FINLAND

Phone: +358 7532633 23  
E-mail: info@vvn.fi  
www.vvn.fi

#### RUSSIA

Phone: +7 849960925 1 5  
E-mail: info@vngroup.ru  
www.vngroup.ru

#### SWEDEN

Phone: +46 107502388  
E-mail: info@vngroup.se  
www.vngroup.se

#### BELARUS

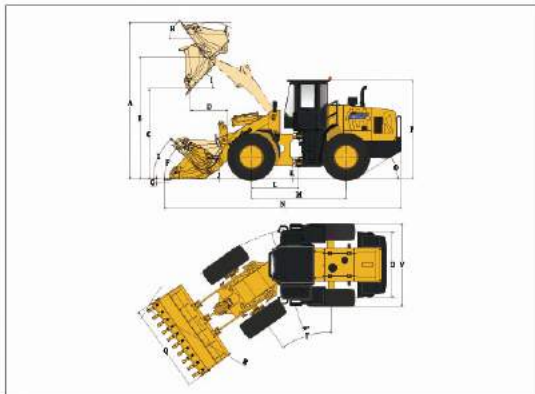
Phone: +375 849960925 1 5  
E-mail: info@vngroup.by  
www.vngroup.by

# VVN WL2 117

## overall specifications

### DIMENSIONS

All dimensions are approximate. Dimensions may vary with bucket and tire choice. Refer to operating specifications.



NO.	DESCRIPTION	UNIT	DIMENSIONS
A	Overall Height – Bucket Raised	mm	5323
B	Bucket Pin Height at Max. Lift	mm	4163
C	Dump Clearance at Max. Lift (45°)	mm	3080
D	Reach at Max. Lift and 45° Dump	mm	1256
E	Rack Back Angle at Carry	°	49.3
F	Rack Back Angle at Ground	°	46
G	Digging Depth	mm	50
H	Rack Back Angle at Max. Lift	°	58.3
I	Dump Angle at Max. Lift	°	45
J	Carry Height	mm	400
K	Ground Clearance	mm	409
L	Center Line of Front Axle to Hitch	mm	1615
M	Wheel Base	mm	3230
N	Overall Length	mm	8100
O	Departure Angle	°	32.6
P	Height to Top of Cab	mm	3380
Q	Overall Width over Bucket	mm	3010
R	Min. Turning Radius over Bucket	mm	7240
S	Min. Turning Radius over Tires	mm	6537.5
T	Steering Angle – Left/Right	°	35
U	Width at Tread Center	mm	2240
V	Overall Width over Tires	mm	2835

### OVERALL DATA

Bucket Capacity	3.0m³
Rated Payload	5000kg
Operating Weight	17300±300kg
Traction Force	155±3kN
Breakout Force	170±3kN
LxWxH	8100x3010x3380mm

### ENGINE&ELECTRICAL SYSTEM

Maker/Model	WEICHAI/WD10G220E21
Emission Standard	EPA (Tier II)/National II
Engine Type	4 Stroke, Turbocharged, Water-cooled, Direct Injection, Diesel Engine
Rated Power	162kW(220hp)/2200rpm
Maximum Torque	860N·m/1400-1600rpm
Bore x Stroke (mm)	126x130
No. of Cylinders/Displacement	6/9.726L
Compression Ratio	17.0
Air Cleaner	Three Stage Air Cleaner with Cyclone Pre-cleaner
Alternator	55Amp
Battery	2-24V/120Ah
Starting Motor	24V/7.5kW
Heating Capacity (W)	5000W
Cooling Capacity (W)	4700W

### DRIVE TRAIN

Transmission Type	Planetary Powershift Transmission				
Shift Type	Mechanical Powershift Control				
Pressure of Transmission	1.2-1.5MPa				
Torque Converter Type	Single-stage, Duo-turbine, 4-element				
Torque Ratio	4.0				
Axes	Rigid Front Axle&Oscillating Rear Axle				
Rear Axle Oscillation (°)	±10°				
Differential	Conventional				
Main Reducer	Spiral Bevel, 1-stage Reduction				
Final Reducer	Planetary Reduction				
Tire	23.5-25 L-3 16PR TT				
Travel Speeds	km/h	1st	2nd	3rd	4th
	Forward	11.5	36		
	Reverse	16			

### BRAKE SYSTEM

Service Brake	Single Circuit Caliper, Dry Brake
Setting Pressure	0.70-0.78MPa
Parking Brake	Air Actuated Caliper Brake
Emergency Brake	Air Actuated Caliper Brake

### STEERING SYSTEM

Type	Hydraulic Load Sensing System	
Pump	Gear Pump, 176L/min • 2200rpm	
System Pressure	15MPa	
Cylinder	Type	Double Acting
	Bore x Stroke	2-100x324mm
Steering Angle	±35°	

### HYDRAULIC SYSTEM

Type	Single-lever(Joystick) Control			
Pump	Gear Pump, 220L/min • 2200rpm			
Control Valve	2 Spool (Bucket&Boom)			
System Pressure	16MPa			
Cylinder	Lift Cylinder	2-180x721mm		
	Tilt Cylinder	1-200x563mm		
Joystick Control Pressure	2.5MPa			
Cycle Time (Sec)	Raise	Dump	Lower	Total
	6.0	1.0	4.0	11.0

### SERVICE REFILL CAPACITY

Fuel Tank (L)	285L
Hydraulic Tank (L)	270/275 (if Special for Auxiliary Functions)
Crankshaft (L)	20L
Transmission (L)	46L
Front Axle/Rear Axle (L)	28L/28L

### STANDARD EQUIPMENT

WEICHAI Engine	Limited Lifting Position
LONKING Transmission	Standard Lift&Bucket (3.0m³)
Mechanical Powershift Control	ROPS&FOPS Cabin
LONKING Axles	Air Conditioner
Joystick Control(2 Spool)	Radio/MP3
Automatic Leveling	LCD Display

### OPTIONAL EQUIPMENT

ZF Transmission&LONKING Axles	Quick-change Coupler
ZF Transmission&ZF Axles	Quick-change Bucket
Cold Starting (-35°C)	3 Piece Cutting Edge, Bolt-on Type Bucket
Oil-bath Air Filter	Rock Bucket(3.0m³)
23.5R25 ★★ L-3 TL	Enlarged Bucket(3.5m³)
23.5R25 ★★ L-5 TL	Coal Bucket(4.2m³)
3 <sup>rd</sup> Spool for Auxiliary Function	Log Fork
Sliding Cabin Window	Grasping Pitchfork
Electric Heating Rear Window	Side Dump Bucket(2.5m³)
Lockable Oil Tank Cap	Marble Fork
Rear View Camera	Fork(Quick-change Only)
Pressure Testing Connector	4in1 Bucket(Quick-change Only)
High Lift & Additional Counterweight	Snow Blade(Quick-change Only)



ALL FOR SHOPS AND WAREHOUSES

#### LATVIA

SIA "Viss Veikaliem un Noliktavam"  
41A - 224 Kan davas street, Riga, LV-10 83  
Phone: +371 27727449 (Latvian, English),  
+371 22074120 (Latvian, Russian, English),  
+371 20330002 (Latvian, Russian, English)  
E-mail: info@vvn.lv

www.vvn.lv

#### LITHUANIA

Phone: +370 70066080  
E-mail: info@vvn.lt  
www.vvn.lt

#### NORWAY

Phone: +47 219558 68  
E-mail: info@vvn.no  
www.vvn.no

#### ESTONIA

Phone: +372 634633 2,  
+372 63463 42  
E-mail: info@vvn.ee  
www.vvn.ee

#### DENMARK

E-mail: info@vvn.dk  
www.vvn.dk

#### FINLAND

Phone: +358 7532633 23  
E-mail: info@vvn.fi  
www.vvn.fi

#### RUSSIA

Phone: +7 849960925 15  
E-mail: info@vvn.ru  
www.vvn.ru

#### SWEDEN

Phone: +46 107502388  
E-mail: info@vvn.se  
www.vvn.se

#### BELARUS

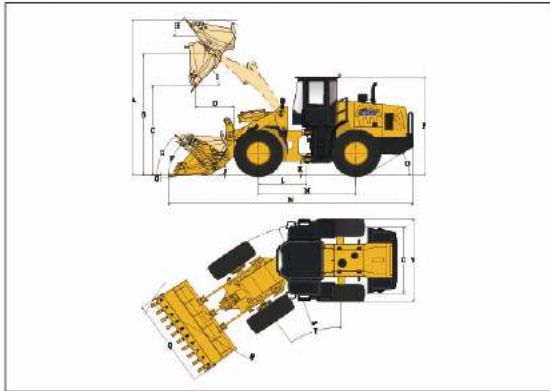
Phone: +375 849960925 15  
E-mail: info@vvn.by  
www.vvn.by

# VVN WL3 117

## overall specifications

### DIMENSIONS

All dimensions are approximate. Dimensions may vary with bucket and tire choice. Refer to operating specifications.



NO.	DESCRIPTION	UNIT	DIMENSIONS
A	Overall Height – Bucket Raised	mm	5323
B	Bucket Pin Height at Max. Lift	mm	4163
C	Dump Clearance at Max. Lift (45°)	mm	3080
D	Reach at Max. Lift and 45° Dump	mm	1256
E	Rack Back Angle at Carry	°	49.3
F	Rack Back Angle at Ground	°	46
G	Digging Depth	mm	50
H	Rack Back Angle at Max. Lift	°	58.3
I	Dump Angle at Max. Lift	°	45
J	Carry Height	mm	400
K	Ground Clearance	mm	409
L	Center Line of Front Axle to Hitch	mm	1615
M	Wheel Base	mm	3230
N	Overall Length	mm	8100
O	Departure Angle	°	32.6
P	Height to Top of Cab	mm	3380
Q	Overall Width over Bucket	mm	3010
R	Min. Turning Radius over Bucket	mm	7240
S	Min. Turning Radius over Tires	mm	6537.5
T	Steering Angle – Left/Right	°	35
U	Width at Tread Center	mm	2240
V	Overall Width over Tires	mm	2835

### OVERALL DATA

Bucket Capacity	3.0m <sup>3</sup>
Rated Payload (kg)	5000kg
Operating Weight (kg)	17300±300kg
Traction Force (kN)	155±3kN
Breakout Force (kN)	170±3kN
LxWxH (mm)	8100x3010x3380mm

### ENGINE&ELECTRICAL SYSTEM

Maker/Model	DF CUMMINS/6CTAA-C215
Emission Standard	EPA (Tier II)/EU Stage II
Engine Type	4 Stroke, Turbocharged & Charge Air Cooled, Direct Injection, Diesel Engine
Rated Power	160kW(215hp)/2200rpm
Maximum Torque	904N·m/1400rpm
Bore x Stroke	114x135mm
No. of Cylinders/Displacement	6/8.3L
Compression Ratio	18.0
Air Cleaner	Dry, Double Elements
Alternator	70Amp
Battery	2-24V/120Ah
Starting Motor	24V/7.8kW
Heating Capacity	5000W
Cooling Capacity	4700W

### DRIVE TRAIN

Transmission Type	Planetary Powershift Transmission			
Shift Type	Mechanical Powershift Control			
Pressure of Transmission	1.2-1.5MPa			
Torque Converter Type	Single-stage, Duo-turbine, 4-element			
Torque Ratio	4.0			
Axles	Rigid Front Axle&Oscillating Rear Axle			
Rear Axle Oscillation	±10°			
Differential	Conventional			
Main Reducer	Spiral Bevel, 1-stage Reduction			
Final Reducer	Planetary Reduction			
Tire	23.5-25 L-3 16PR TT			
Travel Speeds	km/h	1st	2nd	3rd
	Forward	11.5	36	4th
	Reverse	16		

### BRAKE SYSTEM

Service Brake	Single Circuit Caliper, Dry Brake
Setting Pressure	0.70-0.78MPa
Parking Brake	Air Actuated Caliper Brake
Emergency Brake	Air Actuated Caliper Brake

### STEERING SYSTEM

Type	Hydraulic Load Sensing System		
Pump	Gear Pump, 176L/min • 2200rpm		
System Pressure	15MPa		
Cylinder	Type	Double Acting	
	Bore x Stroke	2-100x324mm	
Steering Angle	±35°		

### HYDRAULIC SYSTEM

Type	Single-lever(Joystick) Control			
Pump	Gear Pump, 220L/min • 2200rpm			
Control Valve	2 Spool (Bucket&Boom)			
System Pressure	16MPa			
Cylinder	Lift Cylinder	2-180x721mm		
	Tilt Cylinder	1-200x563mm		
Joystick Control Pressure	2.5MPa			
Cycle Time (Sec)	Raise	Dump	Lower	Total
	6.0	1.0	4.0	11.0

### SERVICE REFILL CAPACITY

Fuel Tank	285L
Hydraulic Tank	270/275 (3rd Spool for Auxiliary Function)
Crankshaft	20L
Transmission	46L
Front Axle/Rear Axle	28L/28L

### STANDARD EQUIPMENT

DF CUMMINS Engine	Limited Lifting Position
LONKING Transmission	Standard Lift&Bucket (3.0m <sup>3</sup> )
Mechanical Powershift Control	ROPS&FOPS Cabin
LONKING Axles	Air Conditioner
Joystick Control(2 Spool)	Radio/MP3
Automatic Leveling	LCD Display

### OPTIONAL EQUIPMENT

ZF Transmission&LONKING Axles	Quick-change Coupler
ZF Transmission&ZF Axles	Quick-change Bucket
Cold Starting (-35°C)	3 Piece Cutting Edge, Bolt-on Type Bucket
Oil-bath Air Filter	Rock Bucket(3.0m <sup>3</sup> )
23.5R25 ★★ L-3 TL	Enlarged Bucket(3.5m <sup>3</sup> )
23.5R25 ★★ L-5 TL	Coal Bucket(4.2m <sup>3</sup> )
3rd Spool for Auxiliary Function	Log Fork
Sliding Cabin Window	Grasping Pitchfork
Electric Heating Rear Window	Side Dump Bucket(2.5m <sup>3</sup> )
Lockable Oil Tank Cap	Marble Fork
Rear View Camera	Fork(Quick-change Only)
Pressure Testing Connector	4in1 Bucket(Quick-change Only)
High Lift &Additional Counterweight	Snow Blade(Quick-change Only)

# VVN

ALL FOR SHOPS AND WAREHOUSES

#### LATVIA

SIA "Viss Veikaliem un Noliktavam"  
41A - 224 Kan davas street, Riga, LV-10 83  
Phone: +371 27727449 ( latvian, english),  
+371 22074120 (l atvian, russian, english),  
+371 20330002 (latvian, russian, english)  
E-mail: info@vvn.lv

www.vvn.lv

#### LITHUANIA

Phone: +370 70066080  
E-mail: info@vvn.lt  
www.vvn.lt

#### NORWAY

Phone: +47 219558 68  
E-mail: info@vvn.no  
www.vvn.no

#### ESTONIA

Phone: +372 634633 2,  
+372 63463 42  
E-mail: info@vvn.ee  
www.vvn.ee

#### DENMARK

E-mail: info@vvn.dk  
www.vvn.dk

#### FINLAND

Phone: +358 7532633 23  
E-mail: info@vvn.fi  
www.vvn.fi

#### RUSSIA

Phone: +7 849960925 1 5  
E-mail: info@vvn.ru  
www.vvn.ru

#### SWEDEN

Phone: +46 107502388  
E-mail: info@vvn.se  
www.vvn.se

#### BELARUS

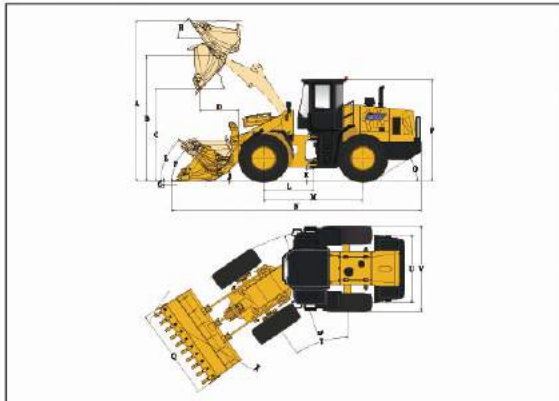
Phone: +375 849960925 1 5  
E-mail: info@vvn.by  
www.vvn.by

# VVN WL4 117

## overall specifications

### DIMENSIONS

All dimensions are approximate. Dimensions may vary with bucket and tire choice. Refer to operating specifications.



NO.	DESCRIPTION	UNIT	STD	Quick-change
A	Overall Height – Bucket Raised	mm	5335	5484
B	Bucket Pin Height at Max. Lift	mm	4161	4161
C	Dump Clearance at Max. Lift (45°)	mm	3080	2885
D	Reach at Max. Lift and 45° Dump	mm	1210	1448
E	Rack Back Angle at Carry	°	49.3	44
F	Rack Back Angle at Ground	°	46	40
G	Digging Depth	mm	50	50-55
H	Rack Back Angle at Max. Lift	°	58.3	45
I	Dump Angle at Max. Lift	°	45	45
J	Carry Height	mm	400	400
K	Ground Clearance	mm	400	400
L	Center Line of Front Axle to Hilch	mm	1615	1615
M	Wheel Base	mm	3230	3230
N	Overall Length	mm	8150	8470
O	Departure Angle	°	27.5	27.5
P	Height to Top of Cab	mm	3380	3380
Q	Overall Width over Bucket	mm	3010	3010
R	Min. Turning Radius over Bucket	mm	7200	7310
S	Min. Turning Radius over Tires	mm	6537.5	6537.5
T	Steering Angle – Left/Right	°	35	35
U	Width at Tread Center	mm	2240	2240
V	Overall Width over Tires	mm	2835	2835

### OVERALL DATA

These specifications as following are just used for standard machine.

Bucket Capacity	3.0m <sup>3</sup>
Rated Payload	5000kg
Operating Weight	17500±300kg
Traction Force	155±3kN
Breakout Force	170±3kN
LxWxH	8150×3010×3380mm

### ENGINE&ELECTRICAL SYSTEM

Maker/Model	CUMMINS/QSB6.7
Emission Standard	EPA (Tier III)/EU Stage III
Engine Type	Turbocharged and Charge Air Cooled, Bosch Electronic, Diesel Engine
Rated Power	164kW(220hp)/2200rpm
Maximum Torque	949N·m/1500rpm
Bore x Stroke (mm)	107×124
No. of Cylinders/Displacement	6/6.7L
Compression Ratio	17.2
Air Cleaner	Three Stage Air Cleaner with Cyclone Pre-cleaner
Alternator	70Amp
Battery	2-24V/120Ah
Starting Motor	24V/7.5kW
Heating Capacity (W)	5000W
Cooling Capacity (W)	4700W

### DRIVE TRAIN

Transmission Type	Countershaft Powershift Transmission				
Shift Type	Electronic Powershift Control				
Pressure of Transmission	1.6-1.8MPa				
Torque Converter Type	Single-stage, Single-turbine, 3-element				
Torque Ratio	2.5				
Axles	Rigid Front Axle&Oscillating Rear Axle				
Rear Axle Oscillation (°)	±8°				
Differential&Limited Slip	Conventional				
Main Reducer	Spiral Bevel, 1-stage Reduction				
Final Reducer	Planetary Reduction				
Tire	23.5-25 L-3 16PR TT				
Travel Speeds	km/h	1st	2nd	3rd	4th
	Forward	6.8	13	23	36
	Reverse	6.8	13	23	

### BRAKE SYSTEM

Service Brake	Full Hydraulic Wet-discs Brake
Setting Pressure	5±0.3MPa
Parking Brake	Hydraulic Actuated Drum Brake
Emergency Brake	Hydraulic Actuated Drum Brake

### STEERING SYSTEM

Type	Hydraulic Load Sensing System	
Pump	Gear Pump, 176L/min • 2200rpm	
System Pressure	15MPa	
Cylinder	Type	Double Acting
	Bore x Stroke	2-100×324mm
Steering Angle	±35°	

### HYDRAULIC SYSTEM

Type	Single-lever(Joystick) Control			
Pump	Gear Pump, 220L/min • 2200rpm			
Control Valve	2 Spool (Bucket&Boom)			
System Pressure	16MPa			
Cylinder	Lift Cylinder	2-180×721mm		
	Tilt Cylinder	1-200×563mm		
No. Bore x stroke		2.5MPa		
Joystick Control Pressure				
Cycle Time (Sec)	Raise	Dump	Lower	Total
	6.0	1.0	4.0	11.0

### SERVICE REFILL CAPACITY

Fuel Tank (L)	285L
Hydraulic Tank (L)	270/275 (2 <sup>nd</sup> Spool for Auxiliary Function)L
Crankshaft (L)	20L
Transmission (L)	50L
Front Axle/Rear Axle (L)	31L/31L

### STANDARD EQUIPMENT

CUMMINS QSB6.7 Engine	Limited Lifting Position
ZF Transmission	Standard Lift&Bucket (3.0m <sup>3</sup> )
Electronic Powershift Control	ROPS&FOPS Cabin
ZF Axles (Full Hydraulic Wet-disc Brake)	Air Conditioner
Joystick Control(2 Spool)	Radio/MP3
Automatic Leveling	LCD Display

### OPTIONAL EQUIPMENT

Cold Starting (-35°C)	Quick-change Bucket
Oil-bath Air Filter	Rock Bucket(3.0m <sup>3</sup> )
23.5R25 ★★ L-3/L-5 TL	Enlarged Bucket(3.5m <sup>3</sup> )
3 <sup>rd</sup> Spool for Auxiliary Function	Coal Bucket(4.2m <sup>3</sup> )
Double-lever(Joystick) Control for Lift&Tilt&Auxiliary Function	3 Piece Cutting Edge, Bolt-on Type Bucket
Sliding Cabin Window	Log Fork
Electric Heating Rear Window	Grasping Pitchfork
Lockable Oil Tank Cap	Side Dump Bucket(2.5m <sup>3</sup> )
Rear View Camera	Marble Fork
Pressure Testing Connector	Fork(Quick-change Only)
High Lift &Additional Counterweight	4in1 Bucket(Quick-change Only)
Quick-change Coupler	Snow Blade(Quick-change Only)



ALL FOR SHOPS AND WAREHOUSES

#### LATVIA

SIA "Viss Veikaliem un Noliktavam"  
41A - 224 Kan davas street, Riga, LV-10 83  
Phone: +371 27727449 ( latvian, english),  
+371 22074120 (l atvian, russian, english),  
+371 20330002 (latvian, russian, english)  
E-mail: info@vvn.lv

www.vvn.lv

#### LITHUANIA

Phone: +370 70066080  
E-mail: info@vvn.lt  
www.vvn.lt

#### NORWAY

Phone: +47 219558 68  
E-mail: info@vngroup.no  
www.vngroup.no

#### ESTONIA

Phone: +372 634633 2,  
+372 63463 42  
E-mail: info@vvn.ee  
www.vn.ee

#### DENMARK

E-mail: info@vngroup.dk  
www.vngroup.dk

#### FINLAND

Phone: +358 7532633 23  
E-mail: info@vvn.fi  
www.vvn.fi

#### RUSSIA

Phone: +7 849960925 1 5  
E-mail: info@vngroup.ru  
www.vngroup.ru

#### SWEDEN

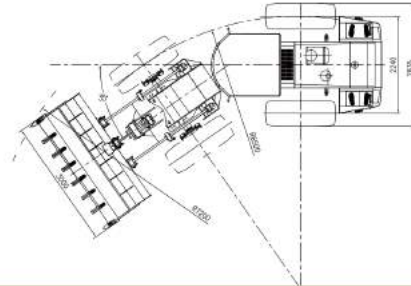
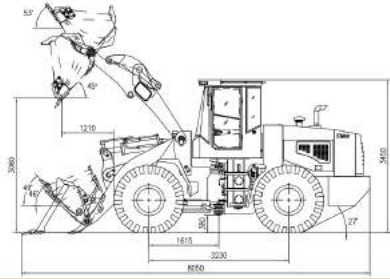
Phone: +46 107502388  
E-mail: info@vngroup.se  
www.vngroup.se

#### BELARUS

Phone: +375 849960925 1 5  
E-mail: info@vngroup.by  
www.vngroup.by

# VVN WL5 117

## overall specifications



### Overall Data

Bucket Capacity (m <sup>3</sup> )	3
Rated Payload(kg)	5000
Operating Weight(kg)	17700±300
Traction Force(kN)	155±3
Breakout Force(kN)	170±3

### Travel speeds (km/h):

	I	II
Forward	11.5	36.0
Reverse	16.0	

### Engine WEICHAİ WD10G220E21

Rated Power(kw/rpm)	162/2200
Peak Torque(Nm/rpm)	850/1400~1600
Starting Voltage(V)	24

### Drive Train

Torque Converter	Single-stage, Duo-turbine, 4-elements
Torque Ratio	4.0
Transmission	Planetary Powershift Transmission
Gear	2F/1R
Pressure of Transmission(MPa)	1.2~1.5
Main Reducer	Spiral bevel, 1-stage Reduction
Final Reducer	Planetary Reduction
Tire	23.5-25 L-3 16PR

### Brake System

Service Brake	Single Circuit Caliper, Dry Brake
Setting Pressure (MPa)	0.78
Parking Brake	Air Actuated Caliper Brake
Emergency Brake	Air Actuated Caliper Brake

### Standard Optional

Automatic Leveling	Coal Bucket (M)
Lonking Transmission	
Lonking Axle	
Standard Bucket	
Pilot Control	

### Steering System

Type	Hydraulic Load Sensing
Cylinders-Bore×Stroke(mm)	2-100×324
Steering Pump	Gear Pump
System Pressure(MPa)	16
Flowrate(L/min/rpm)	176/2200
Steering Angle	±35°

### Hydraulic System

Lift Cylinders-Bore×Stroke(mm)	2-180×721
Tilt Cylinder-Bore×Stroke(mm)	1-200×563
Model of Implement Pump	Gear Pump
Flowrate(L/min/rpm)	220/2200
System Pressure(MPa)	16
Pilot Control System Pressure (MPa)	2.5

### Hydraulic Cycle Time, Rated Load In Bucket(In Second):

Raise(Loaded)	Dump	Lower(Empty)	Total
6.0	1.0	4.0	11.0

### Electrical System

System Voltage(V)	24
Battery (2 in series)(Ah)	120
Lamp Voltage(V)	24

### Service Refill Capacity

Fuel Tank(L)	285
Hydraulic Tank(L)	285
Crankshaft(L)	20
Transmission(L)	45
Front Axle(L) /Rear Axle(L)	23/23

### Air Conditioning System

Heating Capacity(W)	5300 (±10%)
Cooling Capacity(W)	4500 (±10%)



ALL FOR SHOPS AND WAREHOUSES

#### LATVIA

SIA "Viss Veikaliem un Noliktavam"  
41A - 224 Kan davas street, Riga, LV-10 83  
Phone: +371 27727449 ( latvian, english),  
+371 22074120 (l atvian, russian, english),  
+371 20330002 (latvian, russian, english)  
E-mail: info@vvn.lv

www.vvn.lv

#### LITHUANIA

Phone: +370 70066080  
E-mail: info@vvn.lt  
www.vvn.lt

#### NORWAY

Phone: +47 219558 68  
E-mail: info@vvn.no  
www.vvn.no

#### ESTONIA

Phone: +372 634633 2,  
+372 63463 42  
E-mail: info@vvn.ee  
www.vvn.ee

#### DENMARK

E-mail: info@vvn.dk  
www.vvn.dk

#### FINLAND

Phone: +358 7532633 23  
E-mail: info@vvn.fi  
www.vvn.fi

#### RUSSIA

Phone: +7 849960925 1 5  
E-mail: info@vvn.ru  
www.vvn.ru

#### SWEDEN

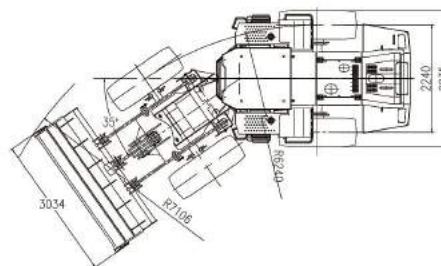
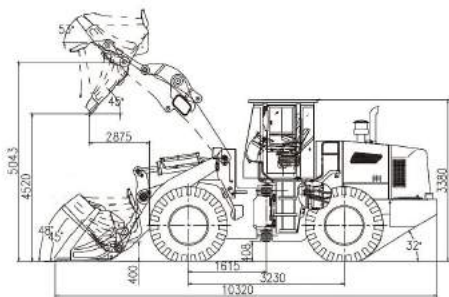
Phone: +46 107502388  
E-mail: info@vvn.se  
www.vvn.se

#### BELARUS

Phone: +375 849960925 1 5  
E-mail: info@vvn.by  
www.vvn.by

# VVV WL6 117

## overall specifications



### OVERALL DATA

Bucket Capacity (m <sup>3</sup> )	3
Rated Payload (kg)	2500
Operating Weight (kg)	17900±300
Traction Force (kN)	160±3
Breakout Force (kN)	185±3
L×W×H(mm)	10320×3034×3380

### Travel Speeds (km/h):

	I	II
Forward	11.5	36.0
Reverse	16.0	

### ENGINE WEICHAİ WD10G220E21

Rated Power (kW-hp/rpm)	162-(220)/2200
Peak Torque (Nm/rpm)	860/1400-1600
Starting Voltage (V)	24

### DRIVE TRAIN

Torque Converter	Single-stage, Duo-turbine, 4-element
Torque Ratio	4.0
Transmission	Planetary Powershift Transmission
Gear	2F/1R
Pressure of Transmission (MPa)	1.2-1.5
Main Reducer	Spiral Bevel, 1-stage Reduction
Final Reducer	Planetary Reduction
Tire	23.5-25 L-3 16PR TT

### BRAKE SYSTEM

Service Brake	Single Circuit Caliper Air Brake
Setting Pressure (MPa)	0.70-0.78
Parking Brake	Air Actuated Caliper Brake
Emergency Brake	Air Actuated Caliper Brake

### STANDARD

WEICHAİ Engine
Lonking Transmission
Lonking Axle
Standard Bucket-3.0m <sup>3</sup>
Pilot Control
ROPS&FOPS Cabin
Heating Radiator

### OPTIONAL

Rock Bucket(K)-3.0m <sup>3</sup>
Enlarged Bucket (N) -3.5m <sup>3</sup>
Coal Bucket(M)-4.2m <sup>3</sup>
High Dump& Coal Bucket(T)-4.2m <sup>3</sup>
Side Dump(C)
Fork
Grasping Pitchfork

### STEERING SYSTEM

Type	Hydraulic Load Sensing System
Cylinders-borexStroke (mm)	2-100×324
Steering Pump	Gear Pump
System Pressure (MPa)	15
Flow Rate (L/min/rpm)	176/2200
Steering Angle	±35°

### HYDRAULIC SYSTEM

Lift Cylinders-borexStroke(mm)	2-180×721
Tilt Cylinder-borexStroke (mm)	1-200×563
Model of Implement Pump	Gear Pump
Flow Rate (L/min/rpm)	220/2200
System Pressure (MPa)	16
Pilot Control System Pressure (MPa)	2.5

### Hydraulic Cycle Time, Rated Load in Bucket (In Second)

Raise (Loaded)	Dump	Lower (Empty)	Total
6.0	1.2	3.8	11.0

### ELECTRICAL SYSTEM

System Voltage (V)	24
Battery(2 in series) (Ah)	120
Lamp Voltage (V)	24

### SERVICE REFILL CAPACITY

Fuel Tank (L)	245
Hydraulic Tank (L)	220
Crankshaft (L)	20
Transmission (L)	45
Front Axle (L) / Rear Axle (L)	25/25

### AC SYSTEM(OPTIONAL)

Heating Capacity (W)	5800(±10%)
Cooling Capacity (W)	4500(±10%)



ALL FOR SHOPS AND WAREHOUSES

#### LATVIA

SIA "Viss Veikaliem un Noliktavām"  
41A - 224 Kan davas street, Rīga, LV-10 83  
Phone: +371 27727449 ( latvian, english),  
+371 22074120 (l atvian, russian, english),  
+371 20330002 (latvian, russian, english)  
E-mail: info@vvn.lv

www.vvn.lv

#### LITHUANIA

Phone: +370 70066080  
E-mail: info@vvn.lt  
www.vvn.lt

#### NORWAY

Phone: +47 219558 68  
E-mail: info@vvn.no  
www.vvn.no

#### ESTONIA

Phone: +372 634633 2,  
+372 63463 42  
E-mail: info@vvn.ee  
www.vvn.ee

#### DENMARK

E-mail: info@vvn.dk  
www.vvn.dk

#### FINLAND

Phone: +358 7532633 23  
E-mail: info@vvn.fi  
www.vvn.fi

#### RUSSIA

Phone: +7 849960925 1 5  
E-mail: info@vvn.ru  
www.vvn.ru

#### SWEDEN

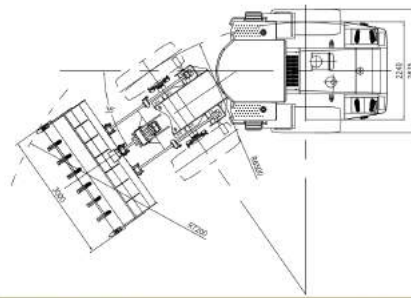
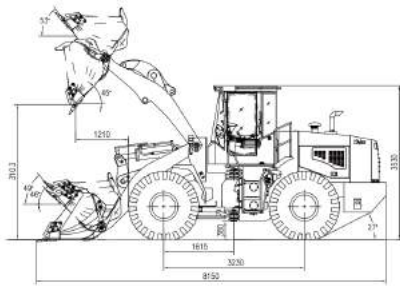
Phone: +46 107502388  
E-mail: info@vvn.se  
www.vvn.se

#### BELARUS

Phone: +375 849960925 1 5  
E-mail: info@vvn.by  
www.vvn.by

# VVN WL 118

## overall specifications



### Overall Data

Bucket Capacity (m <sup>3</sup> )	3			
Rated Payload(kg)	5000			
Operating Weight(kg)	18020±300			
Traction Force(kN)	155±3			
Breakout Force(kN)	170±3			
<b>Travel speeds (km/h):</b>				
	<b>I</b>	<b>II</b>	<b>III</b>	<b>IV</b>
Forward	6.8	13.0	23.0	36.0
Reverse	6.8	13.0	23.0	

### Engine

**CUMMINS QSB6.7-C220**

Rated Power(kW/rpm)	164/2200
Peak Torque(Nm/rpm)	949/1500
Starting Voltage(V)	24

### Drive Train

Torque Converter	Single-stage, Single-turbine, 3-element
Torque Ratio	2.55
Transmission	Countershaft Powershift Transmission
Gear	4F/3R
Pressure of Transmission(MPa)	1.6~1.8
Main Reducer	Spiral Bevel, 1-stage Reduction
Final Reducer	Planetary Reduction
<b>Tire</b>	<b>23.5-25 L-3 16PR</b>

### Brake System

Service Brake	Full Hydraulic Wet-discs Brake
Setting Pressure (MPa)	0.78
Parking Brake	Hydraulic Actuated Drum Brake
Emergency Brake	Hydraulic Actuated Drum Brake

### Standard

Automatic Leveling  
ZF Transmission  
ZF Axle  
ROPS/FOPS  
Standard Bucket  
Pilot Control

### Optional

Rock Bucket (K)  
Quick Change (H)

### Steering System

Type	Hydraulic Load Sensor System
Cylinders-Bore×Stroke(mm)	2-100×324
Steering Pump	Gear Pump
System Pressure(MPa)	16
Flow Rate(L/min/rpm)	176/2200
Steering Angle	±35°

### Hydraulic System

Lift Cylinders-Bore×Stroke(mm)	2-180×721
Tilt Cylinder-Bore×Stroke(mm)	1-200×563
Model of Working Pump	Gear Pump
Flow Rate(L/min/rpm)	220/2200
System Pressure(MPa)	16
Pilot Control System Pressure(MPa)	2.5

### Hydraulic Cycle Time, Rated Load In Bucket(In Second):

Raise(Loaded)	Dump	Lower(Empty)	Total
6.0	1.0	4.0	11.0

### Electrical System

System Voltage(V)	24
Battery (2 in series)(Ah)	120
Lamp Voltage(V)	24

### Service Refill Capacity

Fuel Tank(L)	285
Hydraulic Tank(L)	285
Crankshaft(L)	20
Transmission(L)	45
Front Axle(L) /Rear Axle(L)	28/28

### Air Conditioning System

Heating Capacity(W)	5300(±10%)
Cooling Capacity(W)	4500(±10%)



ALL FOR SHOPS AND WAREHOUSES

#### LATVIA

SIA "Viss Veikaliem un Noliktavam"  
41A - 224 Kan davas street, Riga, LV-10 83  
Phone: +371 27727449 ( latvian, english),  
+371 22074120 (l atvian, russian, english),  
+371 20330002 (latvian, russian, english)  
E-mail: info@vvn.lv

www.vvn.lv

#### LITHUANIA

Phone: +370 70066080  
E-mail: info@vvn.lt  
www.vvn.lt

#### NORWAY

Phone: +47 219558 68  
E-mail: info@vvn.no  
www.vvn.no

#### ESTONIA

Phone: +372 634633 2,  
+372 63463 42  
E-mail: info@vvn.ee  
www.vvn.ee

#### DENMARK

E-mail: info@vvn.dk  
www.vvn.dk

#### FINLAND

Phone: +358 7532633 23  
E-mail: info@vvn.fi  
www.vvn.fi

#### RUSSIA

Phone: +7 849960925 1 5  
E-mail: info@vvn.ru  
www.vvn.ru

#### SWEDEN

Phone: +46 107502388  
E-mail: info@vvn.se  
www.vvn.se

#### BELARUS

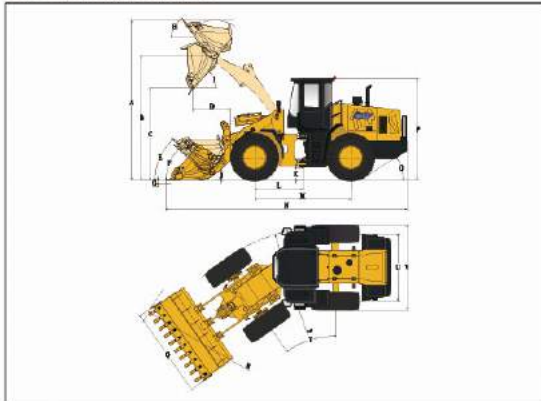
Phone: +375 849960925 1 5  
E-mail: info@vvn.by  
www.vvn.by

# VVN WL 200

## overall specifications

### DIMENSIONS

All dimensions are approximate. Dimensions may vary with bucket and tire choice. Refer to operating specifications.



NO.	DESCRIPTION	UNIT	DIMENSIONS
A	Overall Height – Bucket Raised	mm	5988
B	Bucket Pin Height at Max. Lift	mm	4550
C	Dump Clearance at Max. Lift ( 45°)	mm	3411
D	Reach at Max. Lift and 45° Dump	mm	1206
E	Rack Back Angle at Carry	°	49
F	Rack Back Angle at Ground	°	44
G	Digging Depth	mm	60
H	Rack Back Angle at Max. Lift	°	54
I	Dump Angle at Max. Lift	°	45
J	Carry Height	mm	311
K	Ground Clearance	mm	432
L	Center Line of Front Axle to Hitch	mm	1700
M	Wheel Base	mm	3400
N	Overall Length	mm	8610
O	Departure Angle	°	28
P	Height to Top of Cab	mm	3430
Q	Overall Width over Bucket	mm	3050
R	Min. Turning Radius over Bucket	mm	7650
S	Min. Turning Radius over Tires	mm	6797.5
T	Steering Angle – Left/Right	°	35
U	Width at Tread Center	mm	2270
V	Overall Width over Tires	mm	2865

### OVERALL DATA

Bucket Capacity	3.5m³
Rated Payload	6000kg
Operating Weight	20850±300kg
Traction Force	175±3kN
Breakout Force	200±3kN
LxWxH	8610x3050x3430mm

### ENGINE&ELECTRICAL SYSTEM

Maker/Model	WEICHAIWD10G240E11
Emission Standard	EPA (Tier II )national II
Engine Type	4 Stroke, Turbocharged, Water-cooled, Direct Injection, Diesel Engine
Rated Power	175kW(240hp)/2200rpm
Maximum Torque	920N·m/1300-1600rpm
Bore x Stroke (mm)	126x130
No. of Cylinders/Displacement	6/9.72L
Compression Ratio	17.0
Air Cleaner	Three Stage Air Cleaner with Cyclone Pre-cleaner
Alternator	55Amp
Battery	2-24V/120Ah
Starting Motor	24V/7.5kW
Heating Capacity (W)	5000W
Cooling Capacity (W)	4700W

### DRIVE TRAIN

Transmission Type	Countershaft Powershift Transmission				
Shift Type	Electronic Powershift Control				
Pressure of Transmission	1.6-1.8MPa				
Torque Converter Type	Single-stage, Single-turbine, 3-element				
Torque Ratio	2.5				
Axles	Rigid Front Axle&Oscillating Rear Axle				
Rear Axle Oscillation (°)	±10°				
Differential	Conventional				
Main Reducer	Spiral Bevel, 1-stage Reduction				
Final Reducer	Planetary Reduction				
Tire	23.5-25 L-3 20PR TT				
Travel Speeds	km/h	1st	2nd	3rd	4th
	Forward	5.7	11.7	23.8	37.5
	Reverse	6.7	11.7	23.8	

### BRAKE SYSTEM

Service Brake	Single Circuit Caliper, Dry Brake
Setting Pressure	0.70-0.78MPa
Parking Brake	Hydraulic Actuated Drum Brake
Emergency Brake	Hydraulic Actuated Drum Brake

### STEERING SYSTEM

Type	Hydraulic Load Sensing System	
Pump	Gear Pump, 176L/min • 2200rpm	
System Pressure	16MPa	
Cylinder	Type	Double Acting
	Bore x Stroke	2-100x324mm
Steering Angle	±35°	

### HYDRAULIC SYSTEM

Type	Single-lever(Joystick) Control			
Pump	Gear Pump, 275L/min • 2200rpm			
Control Valve	2 Spool (Bucket&Boom)			
System Pressure	16MPa			
Cylinder	Lift Cylinder	2-180x864mm		
	Tilt Cylinder	1-220x626mm		
No. Bore x stroke		2.5MPa		
Joystick Control Pressure		2.5MPa		
Cycle Time (Sec)	Raise	Dump	Lower	Total
	6.3	1.2	4.3	11.8

### SERVICE REFILL CAPACITY

Fuel Tank (L)	285L
Hydraulic Tank (L)	270/275 (2 <sup>nd</sup> Spool for Auxiliary Function)
Crankshaft (L)	20L
Transmission (L)	50L
Front Axle/Rear Axle (L)	31L/31L

### STANDARD EQUIPMENT

WEICHAI Engine	Limited Lifting Position
ZF Transmission	Standard Lift&Bucket (3.5m³)
Electronic Powershift Control	ROPS&FOPS Cabin
LONGING Axles	Air Conditioner
Joystick Control(2 Spool)	Radio/MP3
Automatic Leveling	LCD Display

### OPTIONAL EQUIPMENT

Cold Starting (-35℃)	Pressure Testing Connector
Oil-bath Air Filter	High Lift &Additional Counterweight
23.5R25 ★★ L-3 TL	Quick-change Coupler
23.5R25 ★★ L-5 TL	Quick-change Bucket
3 <sup>rd</sup> Spool for Auxiliary Function	Quick-change Enlarged Bucket
Double-lever(Joystick) Control for Lift&Tilt&Auxiliary Function	Quick-change Fork
Sliding Cabin Window	3 Piece Cutting Edge, Bolt-on Type Bucket
Electric Heating Rear Window	Rock Bucket(3.8m³)
Lockable Oil Tank Cap	Enlarged Bucket(5.0m³)
Rear View Camera	Coal Bucket(4.5m³)



ALL FOR SHOPS AND WAREHOUSES

#### LATVIA

SIA "Viss Veikaliem un Noliktavam"  
41A - 224 Kan davas street, Riga, LV-10 83  
Phone: +371 27727449 ( latvian, english),  
+371 22074120 (l atvian, russian, english),  
+371 20330002 (latvian, russian, english)  
E-mail: info@vvn.lv

www.vvn.lv

#### LITHUANIA

Phone: +370 70066080  
E-mail: info@vvn.lt  
www.vvn.lt

#### NORWAY

Phone: +47 219558 68  
E-mail: info@vvn.no  
www.vvn.no

#### ESTONIA

Phone: +372 634633 2,  
+372 63463 42  
E-mail: info@vvn.ee  
www.vvn.ee

#### DENMARK

E-mail: info@vvn.dk  
www.vvn.dk

#### FINLAND

Phone: +358 7532633 23  
E-mail: info@vvn.fi  
www.vvn.fi

#### RUSSIA

Phone: +7 849960925 1 5  
E-mail: info@vvn.ru  
www.vvn.ru

#### SWEDEN

Phone: +46 107502388  
E-mail: info@vvn.se  
www.vvn.se

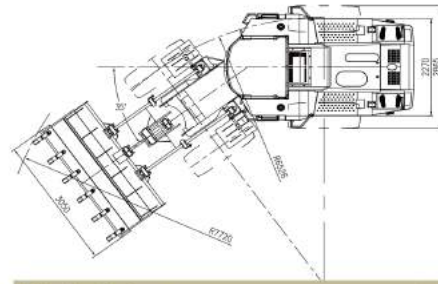
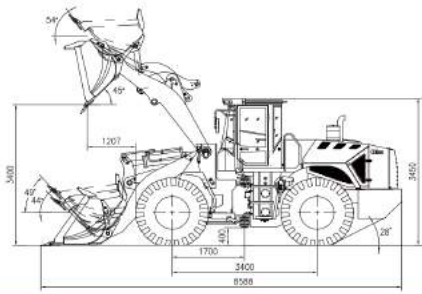
#### BELARUS

Phone: +375 849960925 1 5  
E-mail: info@vvn.by  
www.vvn.by



# VVN WL 201

## overall specifications



### Overall Data

Bucket Capacity (m <sup>3</sup> )	3.5			
Rated Payload(kg)	6000			
Operating Weight(kg)	21500±200			
Traction Force(kN)	172±3			
Breakout Force(kN)	200±3			
<b>Travel speeds (km/h):</b>	<b>I</b>	<b>II</b>	<b>III</b>	<b>IV</b>
Forward	6.4	11.1	17.4	29.2
Reverse	7.2	12.9	20.8	31.1

### Engine

**WEICHAI WD10G240E21**

Rated Power(kW/rpm)	175/2200
Peak Torque(Nm/rpm)	920/1400~1600
Starting Voltage(V)	24

### Drive Train

Torque Converter	Single-stage, Single-turbine, 3-element
Torque Ratio	2.56
Transmission	Planetary Powershift Transmission
Gear	4F/4R
Pressure of Transmission(MPa)	1.7~1.9
Main Reducer	Spiral Bevel, 1-stage Reduction
Final Reducer	Planetary Reduction
<b>Tire</b>	<b>23.5-25 L-3 20PR</b>

### Brake System

Service Brake	Duo-circuit Air Drive Brake
Setting Pressure (MPa)	0.78
Parking Brake	Air Drive Brake
Emergency Brake	Air Drive Brake

### Standard

Automatic Leveling  
Lonking Transmission  
Lonking Axle  
Standard Bucket  
Pilot Control

### Optional

Coal Bucket (M)

### Steering System

Type	Hydraulic Load Sensor System
Cylinders-Bore×Stroke(mm)	2-100×324
Steering Pump	Gear Pump
System Pressure(MPa)	16
Flow Rate(L/min/rpm)	176/2200
Steering Angle	±35°

### Hydraulic System

Lift Cylinders-Bore×Stroke(mm)	2-180×864
Tilt Cylinder-Bore×Stroke(mm)	1-220×626
Model of Working Pump	Gear Pump
Flow Rate(L/min/rpm)	275/2200
System Pressure(MPa)	16
Pilot Control System Pressure(MPa)	2.5

### Hydraulic Cycle Time, Rated Load In Bucket(In Second):

Raise(Loaded)	Dump	Lower(Empty)	Total
6.3	1.2	4.3	11.8

### Electrical System

System Voltage(V)	24
Battery (2 in series)(Ah)	120
Lamp Voltage(V)	24

### Service Refill Capacity

Fuel Tank(L)	285
Hydraulic Tank(L)	285
Crankshaft(L)	20
Transmission(L)	45
Front Axle(L) /Rear Axle(L)	28/28

### Air Conditioning System

Heating Capacity(W)	5800 (±10%)
Cooling Capacity(W)	4500 (±10%)



ALL FOR SHOPS AND WAREHOUSES

#### LATVIA

SIA "Viss Veikaliem un Noliktavām"  
41A - 224 Kan davas street, Rīga, LV-10 83  
Phone: +371 27727449 ( latvian, english),  
+371 22074120 (l atvian, russian, english),  
+371 20330002 (latvian, russian, english)  
E-mail: info@vvn.lv

www.vvn.lv

#### LITHUANIA

Phone: +370 70066080  
E-mail: info@vvn.lt  
www.vvn.lt

#### NORWAY

Phone: +47 219558 68  
E-mail: info@vvn.no  
www.vvn.no

#### ESTONIA

Phone: +372 634633 2,  
+372 63463 42  
E-mail: info@vvn.ee  
www.vvn.ee

#### DENMARK

E-mail: info@vvn.dk  
www.vvn.dk

#### FINLAND

Phone: +358 7532633 23  
E-mail: info@vvn.fi  
www.vvn.fi

#### RUSSIA

Phone: +7 849960925 1 5  
E-mail: info@vvn.ru  
www.vvn.ru

#### SWEDEN

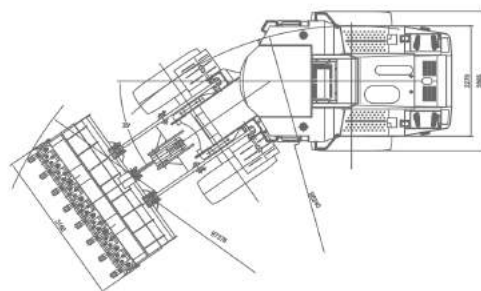
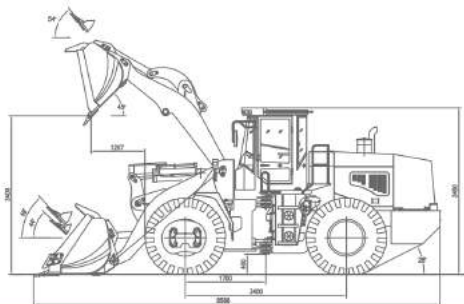
Phone: +46 107502388  
E-mail: info@vvn.se  
www.vvn.se

#### BELARUS

Phone: +375 849960925 1 5  
E-mail: info@vvn.by  
www.vvn.by

# VVN WL2 201

## overall specifications



### Overall Data

Bucket Capacity (m <sup>3</sup> )	3.8			
Rated Payload(kg)	6000			
Operating Weight(kg)	21500±300			
Traction Force(kN)	172±3			
Breakout Force(kN)	200±3			
<b>Travel speeds (km/h):</b>				
	<b>I</b>	<b>II</b>	<b>III</b>	<b>IV</b>
Forward	6.4	11.1	17.4	29.2
Reverse	7.2	12.9	20.8	31.1

### Engine

**WEICHAI WD10G240E21**

Rated Power(kW/rpm)	175/2200
Peak Torque(Nm/rpm)	920/1400~1600
Starting Voltage(V)	24

### Drive Train

Torque Converter	Single-stage, Single-turbine, 3-element
Torque Ratio	2.56
Transmission	Planetary Powershift Transmission
Gear	4F/4R
Pressure of Transmission(MPa)	1.7~1.9
Main Reducer	Spiral Bevel, 1-stage Reduction
Final Reducer	Planetary Reduction
<b>Tire</b>	<b>23.5-25 L-3 20PR</b>

### Brake System

Service Brake	Duo-circuit Air Drive Brake
Setting Pressure (MPa)	0.78
Parking Brake	Air Drive Brake
Emergency Brake	Air Drive Brake

### Standard

- Rock Bucket (K)
- Automatic Leveling
- Lonking Transmission
- Lonking Axle
- Pilot Control

### Steering System

Type	Hydraulic Load Sensor System
Cylinders-Bore×Stroke(mm)	2-100×324
Steering Pump	Gear Pump
System Pressure(MPa)	16
Flow Rate(L/min/rpm)	176/2200
Steering Angle	±35°

### Hydraulic System

Lift Cylinders-Bore×Stroke(mm)	2-180×864
Tilt Cylinder-Bore×Stroke(mm)	1-220×626
Model of Working Pump	Gear Pump
Flow Rate(L/min/rpm)	275/2200
System Pressure(MPa)	16
Pilot Control System Pressure(MPa)	2.5

### Hydraulic Cycle Time, Rated Load In Bucket(In Second):

Raise(Loaded)	Dump	Lower(Empty)	Total
6.3	1.2	4.3	11.8

### Electrical System

System Voltage(V)	24
Battery (2 in series)(Ah)	120
Lamp Voltage(V)	24

### Service Refill Capacity

Fuel Tank(L)	285
Hydraulic Tank(L)	285
Crankshaft(L)	20
Transmission(L)	45
Front Axle(L) /Rear Axle(L)	28/28

### Air Conditioning System

Heating Capacity(W)	5800 (±10%)
Cooling Capacity(W)	4500 (±10%)



**ALL FOR SHOPS AND WAREHOUSES**

#### LATVIA

SIA "Viss Veikaliem un Noliktavam"  
41A - 224 Kan davas street, Riga, LV-10 83  
Phone: +371 27727449 ( latvian, english),  
+371 22074120 (l atvian, russian, english),  
+371 20330002 (latvian, russian, english)  
E-mail: info@vvn.lv

www.vvn.lv

#### LITHUANIA

Phone: +370 70066080  
E-mail: info@vvn.lt  
www.vvn.lt

#### NORWAY

Phone: +47 219558 68  
E-mail: info@vvn.no  
www.vvn.no

#### ESTONIA

Phone: +372 634633 2,  
+372 63463 42  
E-mail: info@vvn.ee  
www.vvn.ee

#### DENMARK

E-mail: info@vvn.dk  
www.vvn.dk

#### FINLAND

Phone: +358 7532633 23  
E-mail: info@vvn.fi  
www.vvn.fi

#### RUSSIA

Phone: +7 849960925 1 5  
E-mail: info@vvn.ru  
www.vvn.ru

#### SWEDEN

Phone: +46 107502388  
E-mail: info@vvn.se  
www.vvn.se

#### BELARUS

Phone: +375 849960925 1 5  
E-mail: info@vvn.by  
www.vvn.by