



ALL FOR SHOPS AND WAREHOUSES

VVN

Wheel loaders

Easy maintenance & outstanding after-sales services
Complete line of applications and accessories
Pilot control system, automatic leveling



Models described in the catalog:

VVN WL 42

VVN WL2 42

VVN WL 43

VVN WL 55

VVN WL 56

VVN WL 65

VVN WL 100

VVN WL 111

VVN WL2 111

VVN WL3 111

VVN WL4 111

VVN WL 112

VVN WL 113

VVN WL 115

VVN WL 116

VVN WL 117

VVN WL2 117

VVN WL3 117

VVN WL4 117

VVN WL5 117

VVN WL6 117

VVN WL 118

VVN WL 200

VVN WL 201

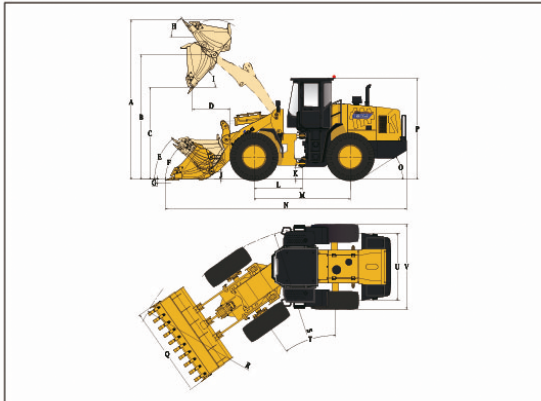
VVN WL2 201

VVN WL 200

overall specifications

DIMENSIONS

All dimensions are approximate. Dimensions may vary with bucket and tire choice. Refer to operating specifications.



NO.	DESCRIPTION	UNIT	DIMENSIONS
A	Overall Height – Bucket Raised	mm	5988
B	Bucket Pin Height at Max. Lift	mm	4550
C	Dump Clearance at Max. Lift (45°)	mm	3411
D	Reach at Max. Lift and 45° Dump	mm	1206
E	Rack Back Angle at Carry	°	49
F	Rack Back Angle at Ground	°	44
G	Digging Depth	mm	60
H	Rack Back Angle at Max. Lift	°	54
I	Dump Angle at Max. Lift	°	45
J	Carry Height	mm	311
K	Ground Clearance	mm	432
L	Center Line of Front Axle to Hitch	mm	1700
M	Wheel Base	mm	3400
N	Overall Length	mm	8610
O	Departure Angle	°	28
P	Height to Top of Cab	mm	3430
Q	Overall Width over Bucket	mm	3050
R	Min. Turning Radius over Bucket	mm	7650
S	Min. Turning Radius over Tires	mm	6797.5
T	Steering Angle – Left/Right	°	35
U	Width at Tread Center	mm	2270
V	Overall Width over Tires	mm	2865

OVERALL DATA

Bucket Capacity	3.5m³
Rated Payload	6000kg
Operating Weight	20850±300kg
Traction Force	175±3kN
Breakout Force	200±3kN
LxWxH	8610x3050x3430mm

ENGINE&ELECTRICAL SYSTEM

Maker/Model	WEICHAI/WD10G240E11
Emission Standard	EPA (Tier II)/National II
Engine Type	4 Stroke, Turbocharged, Water-cooled, Direct Injection, Diesel Engine
Rated Power	175kW(240hp)/2200rpm
Maximum Torque	920N·m/1300-1600rpm
Bore x Stroke (mm)	126x130
No. of Cylinders/Displacement	6/9.72L
Compression Ratio	17.0
Air Cleaner	Three Stage Air Cleaner with Cyclone Pre-cleaner
Alternator	55Amp
Battery	2-24V/120Ah
Starting Motor	24V/7.5kW
Heating Capacity (W)	5000W
Cooling Capacity (W)	4700W

DRIVE TRAIN

Transmission Type	Countershaft Powershift Transmission				
Shift Type	Electronic Powershift Control				
Pressure of Transmission	1.6-1.8MPa				
Torque Converter Type	Single-stage, Single-turbine, 3-element				
Torque Ratio	2.5				
Axles	Rigid Front Axle&Oscillating Rear Axle				
Rear Axle Oscillation (°)	±10°				
Differential	Conventional				
Main Reducer	Spiral Bevel, 1-stage Reduction				
Final Reducer	Planetary Reduction				
Tire	23.5-25 L-3 20PR TT				
Travel Speeds	km/h	1st	2nd	3rd	4th
	Forward	6.7	11.7	23.8	37.5
	Reverse	6.7	11.7	23.8	

BRAKE SYSTEM

Service Brake	Single Circuit Caliper, Dry Brake
Setting Pressure	0.70-0.78MPa
Parking Brake	Hydraulic Actuated Drum Brake
Emergency Brake	Hydraulic Actuated Drum Brake

STEERING SYSTEM

Type	Hydraulic Load Sensing System	
Pump	Gear Pump, 176L/min • 2200rpm	
System Pressure	16MPa	
Cylinder	Type	Double Acting
	Bore x Stroke	2-100x324mm
Steering Angle	±35°	

HYDRAULIC SYSTEM

Type	Single-lever(Joystick) Control			
Pump	Gear Pump, 275L/min • 2200rpm			
Control Valve	2 Spool (Bucket&Boom)			
System Pressure	16MPa			
Cylinder	Lift Cylinder	2-180x864mm		
	Tilt Cylinder	1-220x626mm		
Joystick Control Pressure	2.5MPa			
Cycle Time (Sec)	Raise	Dump	Lower	Total
	6.3	1.2	4.3	11.8

SERVICE REFILL CAPACITY

Fuel Tank (L)	285L
Hydraulic Tank (L)	270/275(3rd Spool for Auxiliary Function)L
Crankshaft (L)	20L
Transmission (L)	50L
Front Axle/Rear Axle (L)	31L/31L

STANDARD EQUIPMENT

WEICHAI Engine	Limited Lifting Position
ZF Transmission	Standard Lift&Bucket (3.5m³)
Electronic Powershift Control	ROPS&FOPS Cabin
LONGING Axles	Air Conditioner
Joystick Control(2 Spool)	Radio/MP3
Automatic Leveling	LCD Display

OPTIONAL EQUIPMENT

Cold Starting (-35℃)	Pressure Testing Connector
Oil-bath Air Filter	High Lift &Additional Counterweight
23.5R25 ★★ L-3 TL	Quick-change Coupler
23.5R25 ★★ L-5 TL	Quick-change Bucket
3rd Spool for Auxiliary Function	Quick-change Enlarged Bucket
Double-lever(Joystick) Control for Lift&Tilt&Auxiliary Function	Quick-change Fork
Sliding Cabin Window	3 Piece Cutting Edge, Bolt-on Type Bucket
Electric Heating Rear Window	Rock Bucket(3.8m³)
Lockable Oil Tank Cap	Enlarged Bucket(5.0m³)
Rear View Camera	Coal Bucket(4.5m³)



ALL FOR SHOPS AND WAREHOUSES

LATVIA

SIA "Viss Veikaliem un Noliktavam"
41A - 224 Kan davas street, Riga, LV-10 83
Phone: +371 27727449 (latvian, english),
+371 22074120 (l atvian, russian, english),
+371 20330002 (latvian, russian, english)
E-mail: info@vvn.lv

www.vvn.lv

LITHUANIA

Phone: +370 70066080
E-mail: info@vvn.lt
www.vvn.lt

NORWAY

Phone: +47 219558 68
E-mail: info@vvn.no
www.vvn.no

ESTONIA

Phone: +372 634633 2,
+372 63463 42
E-mail: info@vvn.ee
www.vvn.ee

DENMARK

E-mail: info@vvn.dk
www.vvn.dk

FINLAND

Phone: +358 7532633 23
E-mail: info@vvn.fi
www.vvn.fi

RUSSIA

Phone: +7 849960925 1 5
E-mail: info@vvn.ru
www.vvn.ru

SWEDEN

Phone: +46 107502388
E-mail: info@vvn.se
www.vvn.se

BELARUS

Phone: +375 849960925 1 5
E-mail: info@vvn.by
www.vvn.by