



ALL FOR SHOPS AND WAREHOUSES

VVN

Wheel loaders

Easy maintenance & outstanding after-sales services
Complete line of applications and accessories
Pilot control system, automatic leveling



Models described in the catalog:

VVN WL 42

VVN WL2 42

VVN WL 43

VVN WL 55

VVN WL 56

VVN WL 65

VVN WL 100

VVN WL 111

VVN WL2 111

VVN WL3 111

VVN WL4 111

VVN WL 112

VVN WL 113

VVN WL 115

VVN WL 116

VVN WL 117

VVN WL2 117

VVN WL3 117

VVN WL4 117

VVN WL5 117

VVN WL6 117

VVN WL 118

VVN WL 200

VVN WL 201

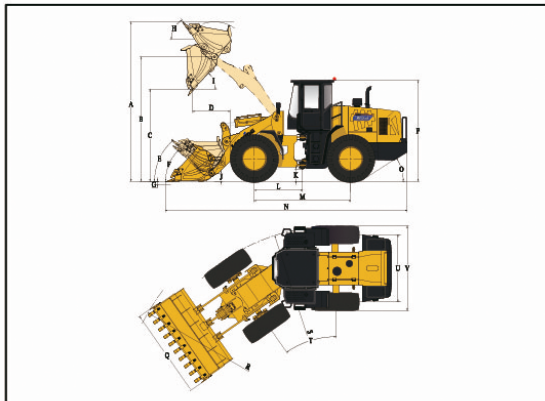
VVN WL2 201

VVN WL 100

overall specifications

DIMENSIONS

All dimensions are approximate. Dimensions may vary with bucket and tire choice. Refer to operating specifications.



NO.	DESCRIPTION	UNIT	STD	High Dump
A	Overall Height – Bucket Raised	mm	4737	5080
B	Bucket Pin Height at Max. Lift	mm	3710	4064
C	Dump Clearance at Max. Lift (45°)	mm	2904	3249
D	Reach at Max. Lift and 45° Dump	mm	1095	1002
E	Rack Back Angle at Carry	°	46.3	46.6
F	Rack Back Angle at Ground	°	40	40.9
G	Digging Depth	mm	30-40	30-40
H	Rack Back Angle at Max. Lift	°	50.7	47
I	Dump Angle at Max. Lift	°	46.6	45
J	Carry Height	mm	400	400
K	Ground Clearance	mm	345	345
L	Center Line of Front Axle to Hitch	mm	1425	1425
M	Wheel Base	mm	2850	2850
N	Overall Length	mm	7200	7450
O	Departure Angle	°	27	27
P	Height to Top of Cab	mm	3180	3180
Q	Overall Width over Bucket	mm	2500	2500
R	Min. Turning Radius over Bucket	mm	6190	6280
S	Min. Turning Radius over Tires	mm	5675	5675
T	Steering Angle – Left/Right	°	35	35
U	Width at Tread Center	mm	1850	1850
V	Overall Width over Tires	mm	2320	2320

OVERALL DATA

Bucket Capacity	1.7m ³	1.7m ³
Rated Payload	3000kg	3000kg
Operating Weight	10300±300kg	10500±300kg
Traction Force	97±3kN	97±3kN
Breakout Force	105±3kN	95±3kN
LxWxH(mm)	7200×2500×3180	7450×2500×3180

ENGINE&ELECTRICAL SYSTEM

Maker/Model	WEICHAI/WP6G125E22
Emission Standard	EPA (Tier II)/National II
Engine Type	4 Stroke, Turbocharged, Water-cooled, Direct Injection, Diesel Engine
Rated Power	92kW(125hp)/2200rpm
Maximum Torque	500N·m/1400-1600rpm
Bore x Stroke (mm)	105×130
No. of Cylinders/Displacement	6/6.75L
Compression Ratio	18.0
Air Cleaner	Three Stage Air Cleaner
Alternator	55Amp
Battery	2-24V/105Ah
Starting Motor	24V/6kW
Heating Capacity (W)	5000W
Cooling Capacity (W)	4700W

DRIVE TRAIN

Transmission Type	Countershaft Powershift Transmission				
Shift Type	Mechanical Powershift Control				
Pressure of Transmission	1.1-1.5MPa				
Torque Converter Type	Single-stage, Single-turbine, 3-element				
Torque Ratio	3.2				
Axles	Rigid Front Axle&Oscillating Rear Axle				
Rear Axle Oscillation (°)	±10°				
Differential	Conventional				
Main Reducer	Spiral Bevel, 1-stage Reduction				
Final Reducer	Planetary Reduction				
Tire	17.5-25 L-3 12PR TT				
Travel Speeds	km/h	1st	2nd	3rd	4th
	Forward	7	12	24	36
	Reverse	8.5	28		

BRAKE SYSTEM

Service Brake	Single Circuit Caliper, Dry Brake
Setting Pressure	0.70-0.78MPa
Parking Brake	Flexible Shaft Controlled Caliper Brake
Emergency Brake	Flexible Shaft Controlled Caliper Brake

STEERING SYSTEM

Type	Hydraulic Load Sensing System	
Pump	Gear Pump, 176L/min • 2200rpm	
System Pressure	14MPa	
Cylinder	Type	Double Acting
	Bore x Stroke	2-80×315mm
Steering Angle	±35°	

HYDRAULIC SYSTEM

Type	Mechanical Shift Control			
Pump	Gear Pump, 176L/min • 2200rpm			
Control Valve	2 Spool (Bucket&Boom)			
System Pressure	16MPa			
Cylinder	Lift Cylinder	2-125×784mm		
	Tilt Cylinder	1-140×553mm		
No-Bore x stroke				
Joystick Control Pressure	—MPa			
Cycle Time (Sec)	Raise	Dump	Lower	Total
	5.5	1.3	3.7	10.5

SERVICE REFILL CAPACITY

Fuel Tank (L)	200L
Hydraulic Tank (L)	150/155 (3 rd Spool for Auxiliary Function)
Crankshaft (L)	17L
Transmission (L)	36L
Front Axle/Rear Axle (L)	18.5L/18.5L

STANDARD EQUIPMENT

WEICHAI Engine	Mechanical Shift Control
LONGKING Transmission	Standard Lift&Bucket (1.7m ³)
Mechanical Powershift Control	ROPS&FOPS Cabin
LONGKING Axles	Air Conditioner
Flexible Shaft Controlled Caliper Brake(Parking Brake)	Radio&MP3
	Mechanical Instrument Panel

OPTIONAL EQUIPMENT

Cold Starting (-35°C)	Quick-change Bucket (1.7m ³)
Oil-bath Air Filter	Bucket (2.0m ³)
17.5R25 ★★ L-3 TL	Enlarged Bucket(2.3m ³)
3 rd Spool for Auxiliary Function	Coal Bucket(2.5m ³)
3-lever Control for Lift&Tilt&Auxiliary Function	3 Piece Cutting Edge, Bolt-on Type Bucket
Sliding Cabin Window	Log Fork
Electric Heating Rear Window	Grasping Pitchfork
Lockable Oil Tank Cap	Side Dump Bucket
Rear View Camera	Fork(Quick-change Only)
Pressure Testing Connector	4in1 Bucket(Quick-change Only)
High Lift & Additional Counterweight	Snow Blade(Quick-change Only)
Quick-change Coupler	



ALL FOR SHOPS AND WAREHOUSES

LATVIA

SIA "Viss Veikaliem un Noliktavam"
41A - 224 Kan davas street, Riga, LV-10 83
Phone: +371 27727449 (latvian, english),
+371 22074120 (l atvian, russian, english),
+371 20330002 (latvian, russian, english)
E-mail: info@vvn.lv

www.vvn.lv

LITHUANIA

Phone: +370 70066080
E-mail: info@vvn.lt
www.vvn.lt

NORWAY

Phone: +47 219558 68
E-mail: info@vvn.no
www.vvn.no

ESTONIA

Phone: +372 634633 2,
+372 63463 42
E-mail: info@vvn.ee
www.vvn.ee

DENMARK

E-mail: info@vvn.dk
www.vvn.dk

FINLAND

Phone: +358 7532633 23
E-mail: info@vvn.fi
www.vvn.fi

RUSSIA

Phone: +7 849960925 1 5
E-mail: info@vvn.ru
www.vvn.ru

SWEDEN

Phone: +46 107502388
E-mail: info@vvn.se
www.vvn.se

BELARUS

Phone: +375 849960925 1 5
E-mail: info@vvn.by
www.vvn.by