



ALL FOR SHOPS AND WAREHOUSES

VVN

## Wheel loaders

Easy maintenance & outstanding after-sales services  
Complete line of applications and accessories  
Pilot control system, automatic leveling



### Models described in the catalog:

VVN WL 42

VVN WL2 42

VVN WL 43

VVN WL 55

VVN WL 56

VVN WL 65

VVN WL 100

VVN WL 111

VVN WL2 111

VVN WL3 111

VVN WL4 111

VVN WL 112

VVN WL 113

VVN WL 115

VVN WL 116

VVN WL 117

VVN WL2 117

VVN WL3 117

VVN WL4 117

VVN WL5 117

VVN WL6 117

VVN WL 118

VVN WL 200

VVN WL 201

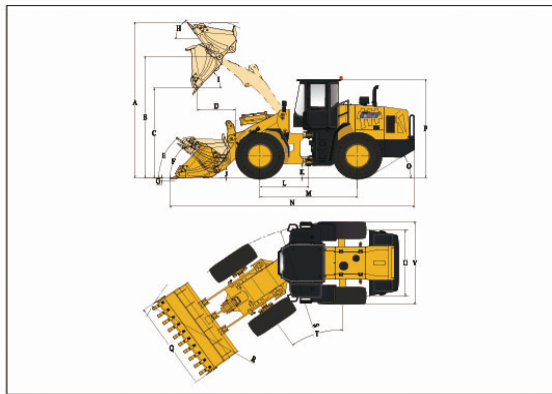
VVN WL2 201

# VVN WL3 117

## overall specifications

### DIMENSIONS

All dimensions are approximate. Dimensions may vary with bucket and tire choice. Refer to operating specifications.



| NO. | DESCRIPTION                        | UNIT | DIMENSIONS |
|-----|------------------------------------|------|------------|
| A   | Overall Height – Bucket Raised     | mm   | 5323       |
| B   | Bucket Pin Height at Max. Lift     | mm   | 4163       |
| C   | Dump Clearance at Max. Lift ( 45°) | mm   | 3080       |
| D   | Reach at Max. Lift and 45° Dump    | mm   | 1256       |
| E   | Rack Back Angle at Carry           | °    | 49.3       |
| F   | Rack Back Angle at Ground          | °    | 46         |
| G   | Digging Depth                      | mm   | 50         |
| H   | Rack Back Angle at Max. Lift       | °    | 58.3       |
| I   | Dump Angle at Max. Lift            | °    | 45         |
| J   | Carry Height                       | mm   | 400        |
| K   | Ground Clearance                   | mm   | 409        |
| L   | Center Line of Front Axle to Hitch | mm   | 1615       |
| M   | Wheel Base                         | mm   | 3230       |
| N   | Overall Length                     | mm   | 8100       |
| O   | Departure Angle                    | °    | 32.6       |
| P   | Height to Top of Cab               | mm   | 3380       |
| Q   | Overall Width over Bucket          | mm   | 3010       |
| R   | Min. Turning Radius over Bucket    | mm   | 7240       |
| S   | Min. Turning Radius over Tires     | mm   | 6537.5     |
| T   | Steering Angle – Left/Right        | °    | 35         |
| U   | Width at Tread Center              | mm   | 2240       |
| V   | Overall Width over Tires           | mm   | 2835       |

### OVERALL DATA

|                       |                   |
|-----------------------|-------------------|
| Bucket Capacity       | 3.0m <sup>3</sup> |
| Rated Payload (kg)    | 5000kg            |
| Operating Weight (kg) | 17300±300kg       |
| Traction Force (kN)   | 155±3kN           |
| Breakout Force (kN)   | 170±3kN           |
| LxWxH (mm)            | 8100x3010x3380mm  |

### ENGINE&ELECTRICAL SYSTEM

|                               |   |
|-------------------------------|---|
| Maker/Model                   | DF CUMMINS/6CTAA-C215   |
| Emission Standard             | EPA (Tier II )/EU Stage II  |
| Engine Type                   | 4 Stroke, Turbocharged & Charge Air Cooled, Direct Injection, Diesel Engine |
| Rated Power                   | 160kW(215hp)/2200rpm  |
| Maximum Torque                | 904N·m/1400rpm  |
| Bore x Stroke                 | 114x135mm   |
| No. of Cylinders/Displacement | 6/8.3L  |
| Compression Ratio             | 18.0  |
| Air Cleaner                   | Dry, Double Elements  |
| Alternator                    | 70Amp   |
| Battery                       | 2-24V/120Ah   |
| Starting Motor                | 24V/7.8kW   |
| Heating Capacity              | 5000W   |
| Cooling Capacity              | 4700W   |

### DRIVE TRAIN

|                          |  |      |     |     |
|--------------------------|--|------|-----|-----|
| Transmission Type        | Planetary Powershift Transmission      |      |     |     |
| Shift Type               | Mechanical Powershift Control          |      |     |     |
| Pressure of Transmission | 1.2-1.5MPa                             |      |     |     |
| Torque Converter Type    | Single-stage, Duo-turbine, 4-element   |      |     |     |
| Torque Ratio             | 4.0                                    |      |     |     |
| Axles                    | Rigid Front Axle&Oscillating Rear Axle |      |     |     |
| Rear Axle Oscillation    | ±10°                                   |      |     |     |
| Differential             | Conventional                           |      |     |     |
| Main Reducer             | Spiral Bevel, 1-stage Reduction        |      |     |     |
| Final Reducer            | Planetary Reduction                    |      |     |     |
| Tire                     | 23.5-25 L-3 16PR TT                    |      |     |     |
| Travel Speeds            | km/h                                   | 1st  | 2nd | 3rd |
|                          | Forward                                | 11.5 | 36  |     |
|                          | Reverse                                | 16   |     |     |

### BRAKE SYSTEM

|                  |                                    |
|------------------|------------------------------------|
| Service Brake    | Single Circuit Calliper, Dry Brake |
| Setting Pressure | 0.70-0.78MPa                       |
| Parking Brake    | Air Actuated Calliper Brake        |
| Emergency Brake  | Air Actuated Calliper Brake        |

### STEERING SYSTEM

|                 |                               |               |  |
|-----------------|-------------------------------|---------------|--|
| Type            | Hydraulic Load Sensing System |               |  |
| Pump            | Gear Pump, 176L/min • 2200rpm |               |  |
| System Pressure | 15MPa                         |               |  |
| Cylinder        | Type                          | Double Acting |  |
|                 | Bore x Stroke                 | 2-100x324mm   |  |
| Steering Angle  | ±35°                          |               |  |

### HYDRAULIC SYSTEM

|                           |                                |             |       |       |
|---------------------------|--------------------------------|-------------|-------|-------|
| Type                      | Single-lever(Joystick) Control |             |       |       |
| Pump                      | Gear Pump, 220L/min • 2200rpm  |             |       |       |
| Control Valve             | 2 Spool (Bucket&Boom)          |             |       |       |
| System Pressure           | 16MPa                          |             |       |       |
| Cylinder                  | Lift Cylinder                  | 2-180x721mm |       |       |
|                           | Tilt Cylinder                  | 1-200x563mm |       |       |
| No-Bore x stroke          |                                |             |       |       |
| Joystick Control Pressure | 2.5MPa                         |             |       |       |
| Cycle Time (Sec)          | Raise                          | Dump        | Lower | Total |
|                           | 6.0                            | 1.0         | 4.0   | 11.0  |

### SERVICE REFILL CAPACITY

|                      |   |
|----------------------|---|
| Fuel Tank            | 285L  |
| Hydraulic Tank       | 270/275 (3 <sup>rd</sup> Spool for Auxiliary Function)L |
| Crankshaft           | 20L   |
| Transmission         | 46L   |
| Front Axle/Rear Axle | 28L/28L   |

### STANDARD EQUIPMENT

|                               |   |
|-------------------------------|---|
| DF CUMMINS Engine             | Limited Lifting Position                  |
| LONKING Transmission          | Standard Lift&Bucket (3.0m <sup>3</sup> ) |
| Mechanical Powershift Control | ROPS&FOPS Cabin                           |
| LONKING Axles                 | Air Conditioner                           |
| Joystick Control(2 Spool)     | Radio/MP3                                 |
| Automatic Leveling            | LCD Display                               |

### OPTIONAL EQUIPMENT

|  |   |
|--|---|
| ZF Transmission&LONKING Axles                | Quick-change Coupler                      |
| ZF Transmission&ZF Axles                     | Quick-change Bucket                       |
| Cold Starting (-35°C)                        | 3 Piece Cutting Edge, Bolt-on Type Bucket |
| Oil-bath Air Filter                          | Rock Bucket(3.0m <sup>3</sup> )           |
| 23.5R25 ★★ L-3 TL                            | Enlarged Bucket(3.5m <sup>3</sup> )       |
| 23.5R25 ★★ L-5 TL                            | Coal Bucket(4.2m <sup>3</sup> )           |
| 3 <sup>rd</sup> Spool for Auxiliary Function | Log Fork                                  |
| Sliding Cabin Window                         | Grasping Pitchfork                        |
| Electric Heating Rear Window                 | Side Dump Bucket(2.5m <sup>3</sup> )      |
| Lockable Oil Tank Cap                        | Marble Fork                               |
| Rear View Camera                             | Fork(Quick-change Only)                   |
| Pressure Testing Connector                   | 4in1 Bucket(Quick-change Only)            |
| High Lift &Additional Counterweight          | Snow Blade(Quick-change Only)             |



ALL FOR SHOPS AND WAREHOUSES

#### LATVIA

SIA "Viss Veikaliem un Noliktavam"  
41A - 224 Kan davas street, Riga, LV-10 83  
Phone: +371 27727449 ( latvian, english),  
+371 22074120 (l atvian, russian, english),  
+371 20330002 (latvian, russian, english)  
E-mail: info@vvn.lv

www.vvn.lv

#### LITHUANIA

Phone: +370 70066080  
E-mail: info@vvn.lt  
www.vvn.lt

#### NORWAY

Phone: +47 219558 68  
E-mail: info@vvn.no  
www.vvn.no

#### ESTONIA

Phone: +372 634633 2,  
+372 63463 42  
E-mail: info@vvn.ee  
www.vvn.ee

#### DENMARK

E-mail: info@vvn.dk  
www.vvn.dk

#### FINLAND

Phone: +358 7532633 23  
E-mail: info@vvn.fi  
www.vvn.fi

#### RUSSIA

Phone: +7 849960925 1 5  
E-mail: info@vvn.ru  
www.vvn.ru

#### SWEDEN

Phone: +46 107502388  
E-mail: info@vvn.se  
www.vvn.se

#### BELARUS

Phone: +375 849960925 1 5  
E-mail: info@vvn.by  
www.vvn.by