



ALL FOR SHOPS AND WAREHOUSES

VVN

Wheel loaders

Easy maintenance & outstanding after-sales services
Complete line of applications and accessories
Pilot control system, automatic leveling

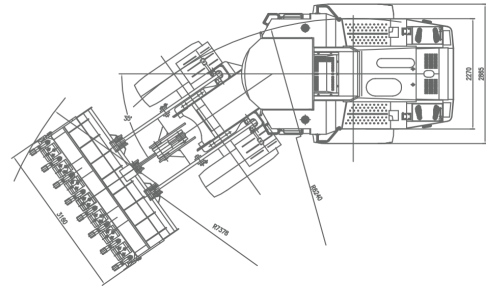
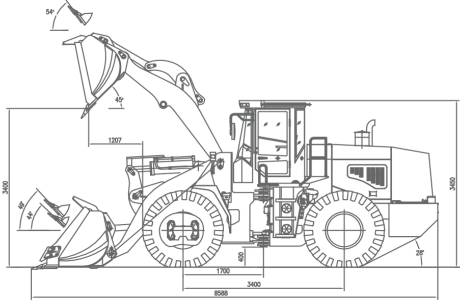


Models described in the catalog:

| | | | | |
|-------------|-------------|-------------|-------------|-------------|
| VVN WL 42 | VVN WL2 42 | VVN WL 43 | VVN WL 55 | VVN WL 56 |
| VVN WL 65 | VVN WL 100 | VVN WL 111 | VVN WL2 111 | VVN WL3 111 |
| VVN WL4 111 | VVN WL 112 | VVN WL 113 | VVN WL 115 | VVN WL 116 |
| VVN WL 117 | VVN WL2 117 | VVN WL3 117 | VVN WL4 117 | VVN WL5 117 |
| VVN WL6 117 | VVN WL 118 | VVN WL 200 | VVN WL 201 | VVN WL2 201 |

VVN WL2 201

overall specifications



Overall Data

| | | | | |
|-----------------------------------|-----------|-----------|------------|-----------|
| Bucket Capacity (m ³) | 3.8 | | | |
| Rated Payload(kg) | 6000 | | | |
| Operating Weight(kg) | 21500±300 | | | |
| Traction Force(kN) | 172±3 | | | |
| Breakout Force(kN) | 200±3 | | | |
| Travel speeds (km/h): | I | II | III | IV |
| Forward | 6.4 | 11.1 | 17.4 | 29.2 |
| Reverse | 7.2 | 12.9 | 20.8 | 31.1 |

Engine WEICHAI WD10G240E21

| | |
|---------------------|---------------|
| Rated Power(kW/rpm) | 175/2200 |
| Peak Torque(Nm/rpm) | 920/1400~1600 |
| Starting Voltage(V) | 24 |

Drive Train

| | |
|-------------------------------|---|
| Torque Converter | Single-stage, Single-turbine, 3-element |
| Torque Ratio | 2.56 |
| Transmission | Planetary Powershift Transmission |
| Gear | 4F/4R |
| Pressure of Transmission(MPa) | 1.7~1.9 |
| Main Reducer | Spiral Bevel, 1-stage Reduction |
| Final Reducer | Planetary Reduction |
| Tire | 23.5-25 L-3 20PR |

Brake System

| | |
|------------------------|-----------------------------|
| Service Brake | Duo-circuit Air Drive Brake |
| Setting Pressure (MPa) | 0.78 |
| Parking Brake | Air Drive Brake |
| Emergency Brake | Air Drive Brake |

Standard

- Rock Bucket (K)
- Automatic Leveling
- Lonking Transmission
- Lonking Axle
- Pilot Control

Steering System

| | |
|---------------------------|------------------------------|
| Type | Hydraulic Load Sensor System |
| Cylinders-Bore×Stroke(mm) | 2-100×324 |
| Steering Pump | Gear Pump |
| System Pressure(MPa) | 16 |
| Flow Rate(L/min/rpm) | 176/2200 |
| Steering Angle | ±35° |

Hydraulic System

| | |
|------------------------------------|-----------|
| Lift Cylinders-Bore×Stroke(mm) | 2-180×864 |
| Tilt Cylinder-Bore×Stroke(mm) | 1-220×626 |
| Model of Working Pump | Gear Pump |
| Flow Rate(L/min/rpm) | 275/2200 |
| System Pressure(MPa) | 16 |
| Pilot Control System Pressure(MPa) | 2.5 |

Hydraulic Cycle Time, Rated Load In Bucket(In Second):

| Raise(Loaded) | Dump | Lower(Empty) | Total |
|---------------|------|--------------|-------|
| 6.3 | 1.2 | 4.3 | 11.8 |

Electrical System

| | |
|---------------------------|-----|
| System Voltage(V) | 24 |
| Battery (2 in series)(Ah) | 120 |
| Lamp Voltage(V) | 24 |

Service Refill Capacity

| | |
|-----------------------------|-------|
| Fuel Tank(L) | 285 |
| Hydraulic Tank(L) | 285 |
| Crankshaft(L) | 20 |
| Transmission(L) | 45 |
| Front Axle(L) /Rear Axle(L) | 28/28 |

Air Conditioning System

| | |
|---------------------|-------------|
| Heating Capacity(W) | 5800 (±10%) |
| Cooling Capacity(W) | 4500 (±10%) |



ALL FOR SHOPS AND WAREHOUSES

LATVIA

SIA "Viss Veikaliem un Noliktavam"
41A - 224 Kan davas street, Riga, LV-10 83
Phone: +371 27727449 (latvian, english),
+371 22074120 (l atvian, russian, english),
+371 20330002 (latvian, russian, english)
E-mail: info@vvn.lv

www.vvn.lv

LITHUANIA

Phone: +370 70066080
E-mail: info@vvn.lt
www.vvn.lt

NORWAY

Phone: +47 219558 68
E-mail: info@vvn.no
www.vvn.no

ESTONIA

Phone: +372 634633 2,
+372 63463 42
E-mail: info@vvn.ee
www.vvn.ee

DENMARK

E-mail: info@vvn.dk
www.vvn.dk

FINLAND

Phone: +358 7532633 23
E-mail: info@vvn.fi
www.vvn.fi

RUSSIA

Phone: +7 849960925 1 5
E-mail: info@vvn.ru
www.vvn.ru

SWEDEN

Phone: +46 107502388
E-mail: info@vvn.se
www.vvn.se

BELARUS

Phone: +375 849960925 1 5
E-mail: info@vvn.by
www.vvn.by