



ALL FOR SHOPS AND WAREHOUSES

VVN

## Wheel loaders

Easy maintenance & outstanding after-sales services  
Complete line of applications and accessories  
Pilot control system, automatic leveling



### Models described in the catalog:

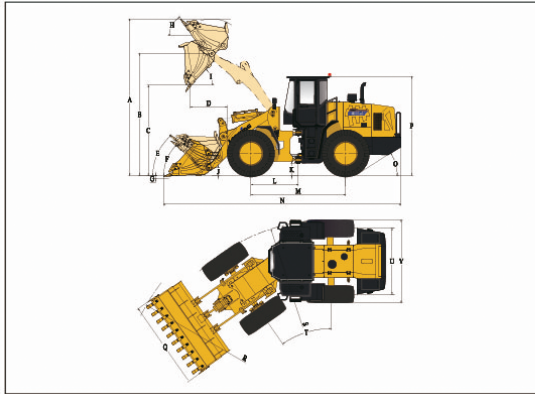
VVN WL 42	VVN WL2 42	VVN WL 43	VVN WL 55	VVN WL 56
VVN WL 65	VVN WL 100	VVN WL 111	VVN WL2 111	VVN WL3 111
VVN WL4 111	VVN WL 112	VVN WL 113	VVN WL 115	VVN WL 116
VVN WL 117	VVN WL2 117	VVN WL3 117	VVN WL4 117	VVN WL5 117
VVN WL6 117	VVN WL 118	VVN WL 200	VVN WL 201	VVN WL2 201

# VVN WL2 117

## overall specifications

### DIMENSIONS

All dimensions are approximate. Dimensions may vary with bucket and tire choice. Refer to operating specifications.



NO.	DESCRIPTION	UNIT	DIMENSIONS
A	Overall Height – Bucket Raised	mm	5323
B	Bucket Pin Height at Max. Lift	mm	4163
C	Dump Clearance at Max. Lift (45°)	mm	3080
D	Reach at Max. Lift and 45° Dump	mm	1256
E	Rack Back Angle at Carry	°	49.3
F	Rack Back Angle at Ground	°	46
G	Digging Depth	mm	50
H	Rack Back Angle at Max. Lift	°	58.3
I	Dump Angle at Max. Lift	°	45
J	Carry Height	mm	400
K	Ground Clearance	mm	409
L	Center Line of Front Axle to Hitch	mm	1615
M	Wheel Base	mm	3230
N	Overall Length	mm	8100
O	Departure Angle	°	32.6
P	Height to Top of Cab	mm	3380
Q	Overall Width over Bucket	mm	3010
R	Min. Turning Radius over Bucket	mm	7240
S	Min. Turning Radius over Tires	mm	6537.5
T	Steering Angle – Left/Right	°	35
U	Width at Tread Center	mm	2240
V	Overall Width over Tires	mm	2835

### OVERALL DATA

Bucket Capacity	3.0m <sup>3</sup>
Rated Payload	5000kg
Operating Weight	17300±300kg
Traction Force	155±3kN
Breakout Force	170±3kN
LxWxH	8100x3010x3380mm

### ENGINE&ELECTRICAL SYSTEM

Maker/Model	WEICHAI/WD10G220E21
Emission Standard	EPA (Tier II)/National II
Engine Type	4 Stroke, Turbocharged, Water-cooled, Direct Injection, Diesel Engine
Rated Power	162kW(220hp)/2200rpm
Maximum Torque	860N·m/1400-1600rpm
Bore x Stroke (mm)	126x130
No. of Cylinders/Displacement	6/9.726L
Compression Ratio	17.0
Air Cleaner	Three Stage Air Cleaner with Cyclone Pre-cleaner
Alternator	55Amp
Battery	2-24V/120Ah
Starting Motor	24V/7.5kW
Heating Capacity (W)	5000W
Cooling Capacity (W)	4700W

### DRIVE TRAIN

Transmission Type	Planetary Powershift Transmission				
Shift Type	Mechanical Powershift Control				
Pressure of Transmission	1.2-1.5MPa				
Torque Converter Type	Single-stage, Duo-turbine, 4-element				
Torque Ratio	4.0				
Axles	Rigid Front Axle&Oscillating Rear Axle				
Rear Axle Oscillation (°)	±10°				
Differential	Conventional				
Main Reducer	Spiral Bevel, 1-stage Reduction				
Final Reducer	Planetary Reduction				
Tire	23.5-25 L-3 16PR TT				
Travel Speeds	km/h	1st	2nd	3rd	4th
	Forward	11.5	36		
	Reverse	16			

### BRAKE SYSTEM

Service Brake	Single Circuit Caliper, Dry Brake
Setting Pressure	0.70-0.78MPa
Parking Brake	Air Actuated Caliper Brake
Emergency Brake	Air Actuated Caliper Brake

### STEERING SYSTEM

Type	Hydraulic Load Sensing System	
Pump	Gear Pump, 176L/min • 2200rpm	
System Pressure	15MPa	
Cylinder	Type	Double Acting
	Bore x Stroke	2-100x324mm
Steering Angle	±35°	

### HYDRAULIC SYSTEM

Type	Single-lever(Joystick) Control			
Pump	Gear Pump, 220L/min • 2200rpm			
Control Valve	2 Spool (Bucket&Boom)			
System Pressure	16MPa			
Cylinder	Lift Cylinder	2-180x721mm		
	Till Cylinder	1-200x563mm		
No.-Bore x stroke				
Joystick Control Pressure	2.5MPa			
Cycle Time (Sec)	Raise	Dump	Lower	Total
	6.0	1.0	4.0	11.0

### SERVICE REFILL CAPACITY

Fuel Tank (L)	285L
Hydraulic Tank (L)	270/275 (3 <sup>rd</sup> Spool for Auxiliary Function)
Crankshaft (L)	20L
Transmission (L)	46L
Front Axle/Rear Axle (L)	28L/28L

### STANDARD EQUIPMENT

WEICHAI Engine	Limited Lifting Position
LONGKING Transmission	Standard Lift&Bucket (3.0m <sup>3</sup> )
Mechanical Powershift Control	ROPS&FOPS Cabin
LONGKING Axles	Air Conditioner
Joystick Control(2 Spool)	Radio/MP3
Automatic Leveling	LCD Display

### OPTIONAL EQUIPMENT

ZF Transmission&LONGKING Axles	Quick-change Coupler
ZF Transmission&ZF Axles	Quick-change Bucket
Cold Starting (-35°C)	3 Piece Cutting Edge, Bolt-on Type Bucket
Oil-bath Air Filter	Rock Bucket(3.0m <sup>3</sup> )
23.5R25 ★★ L-3 TL	Enlarged Bucket(3.5m <sup>3</sup> )
23.5R25 ★★ L-5 TL	Coal Bucket(4.2m <sup>3</sup> )
3 <sup>rd</sup> Spool for Auxiliary Function	Log Fork
Sliding Cabin Window	Grasping Pitchfork
Electric Heating Rear Window	Side Dump Bucket(2.5m <sup>3</sup> )
Lockable Oil Tank Cap	Marble Fork
Rear View Camera	Fork(Quick-change Only)
Pressure Testing Connector	4in1 Bucket(Quick-change Only)
High Lift &Additional Counterweight	Snow Blade(Quick-change Only)



ALL FOR SHOPS AND WAREHOUSES

#### LATVIA

SIA "Viss Veikaliem un Noliktavam"  
41A - 224 Kan davas street, Riga, LV-10 83  
Phone: +371 27727449 (Latvian, English),  
+371 22074120 (Latvian, Russian, English),  
+371 20330002 (Latvian, Russian, English)  
E-mail: info@vvn.lv

www.vvn.lv

#### LITHUANIA

Phone: +370 70066080  
E-mail: info@vvn.lt  
www.vvn.lt

#### NORWAY

Phone: +47 219558 68  
E-mail: info@vvn.no  
www.vvn.no

#### ESTONIA

Phone: +372 634633 2,  
+372 63463 42  
E-mail: info@vvn.ee  
www.vvn.ee

#### DENMARK

E-mail: info@vvn.dk  
www.vvn.dk

#### FINLAND

Phone: +358 7532633 23  
E-mail: info@vvn.fi  
www.vvn.fi

#### RUSSIA

Phone: +7 849960925 15  
E-mail: info@vvn.ru  
www.vvn.ru

#### SWEDEN

Phone: +46 107502388  
E-mail: info@vvn.se  
www.vvn.se

#### BELARUS

Phone: +375 849960925 15  
E-mail: info@vvn.by  
www.vvn.by