

VVN

Skid steer loaders

High performance power train
Comfortable operator station
Advanced hydraulic system
More work tools



Models described in the catalog:

VVN SSL 27

VVN SSL2 27

VVN SSL 30

VVN SSL2 30

VVN SSL 31

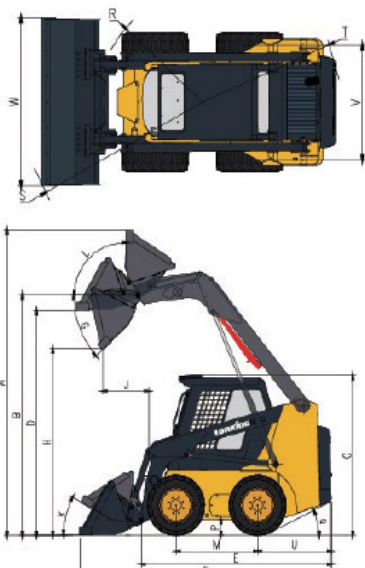
VVN SSL 37

VVN SSL2 37

VVN SSL3 37

VVN SSL 37 / VVN SSL2 37 / VVN SSL3 37

overall specifications



NO.	SPECIFICATION	UNIT	VVN SSL 37
A	Max. Operation Height	mm	3880
B	Bucket Pin Height	mm	3060
C	Cab Roof Height	mm	2020
D	Max. Height at Bucket Leveled	mm	2870
E	Length without Attachment	mm	2530
F	Length with Standard Bucket	mm	3460
H	Dumping Height	mm	2440
J	Reach Rollback	mm	610
M	Wheelbase	mm	1080
P	Ground Clearance	mm	180
R	Front Turning Radius without Attachment	mm	1180
S	Front Turning Radius	mm	2050
T	Rear Turning Radius	mm	1580
U	Tail Length	mm	980
V	Center Distance between Two Wheels	mm	1320
W	Bucket Width	mm	1820
G	Dumping Angle at Max. Height	°	40
K	Bucket Angle on Ground	°	29
L	Bucket Rollback Angle at Max. Height	°	96
O	Start Angle	°	98

MACHINE MODEL	UNIT	I	II	III
MAIN SPECIFICATION				
Engine Model		KUBOTA V3600-T-E3B	XINCHAI A498BZG	KUBOTA V3600-T-E3B
Emission Standard		EuroIIIA	Nation II	EuroIIIA
Rated Power	kW/rpm	63/2600	55/2500	63/2600
Operating Weight	kg	3700	3700	3700
Rated Payload	kg	1230	1230	1230
Bucket Capacity	m³	0.54	0.54	0.54
L×W×H	mm	3460×1820×2020	3460×1820×2020	3460×1820×2020
ENGINE SYSTEM				
Engine Model		KUBOTA V3600-T-E3B	XINCHAI A498BZG	KUBOTA V3600-T-E3B
Rated Power	kW/hp/rpm	63/86/2600	55/75/2500	63/86/2600
Displacement	L	3.62	3.168	3.62
Stroke	mm	98	98	98
Bore	mm	120	105	120
WEIGHTS				
Operating Weight	kg	3700	3700	3700
POWER TRAIN				
Travel Speed -F&R	km/h	11.8	11.8	11.8
TIRE				
Tyre		12×16.5	12×16.5	12×16.5
HYDRAULIC SYSTEM				
		Mechanical Servo	Mechanical Servo	Pilot Control
Hydraulic Flow – Standard	L/min/rpm	91	91	91
Loader Hydraulic Pressure	MPa	21	21	21
Hydraulic Flow – High Flow	L/min/rpm	135	135	135
Loader Hydraulic Pressure	MPa	19	19	19
OPERATING SPECIFICATIONS				
Rated Payload	kg	1230	1230	1230
Tipping Load	kN	2460	2460	2460
Breakout Force	kN	25.9	25.9	25.9
Traction Force	kN	28.06	28.06	28.06
SERVICE REFILL CAPACITIES				
Chain Box, Each Side	L	9	9	9
Cooling System	L	12	12	12
Engine Crankcase	L	9	9	9
Fuel Tank	L	91	91	91
Hydraulic Tank	L	65	65	65



ALL FOR SHOPS AND WAREHOUSES

LATVIA

SIA "Viss Veikaliem un Noliktavām"
41A - 224 Kan davas street, Rīga, LV-10 83
Phone: +371 27727449 (latvian, english),
+371 22074120 (l atvian, russian, english),
+371 20330002 (latvian, russian, english)
E-mail: info@vvn.lv

www.vvn.lv

LITHUANIA

Phone: +370 70066080
E-mail: info@vvn.lt
www.vvn.lt

NORWAY

Phone: +47 219558 68
E-mail: info@vvn.no
www.vvn.no

ESTONIA

Phone: +372 634633 2,
+372 63463 42
E-mail: info@vvn.ee
www.vvn.ee

DENMARK

E-mail: info@vvn.dk
www.vvn.dk

FINLAND

Phone: +358 7532633 23
E-mail: info@vvn.fi
www.vvn.fi

RUSSIA

Phone: +7 849960925 1 5
E-mail: info@vvn.ru
www.vvn.ru

SWEDEN

Phone: +46 107502388
E-mail: info@vvn.se
www.vvn.se

BELARUS

Phone: +375 849960925 1 5
E-mail: info@vvn.by
www.vvn.by