

VVN

## Skid steer loaders

High performance power train  
Comfortable operator station  
Advanced hydraulic system  
More work tools



Models described in the catalog:

VVN SSL 27

VVN SSL2 27

VVN SSL 30

VVN SSL2 30

VVN SSL 31

VVN SSL 37

VVN SSL2 37

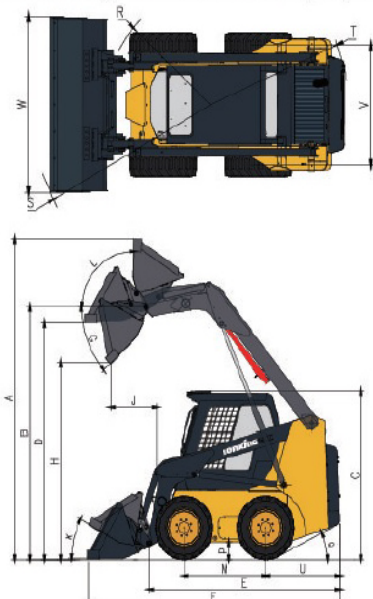
VVN SSL3 37

# VVN SSL 30 / VVN SSL2 30 / VVN SSL 31

## overall specifications

### DIMENSIONS

All Dimensions are Approximate. Dimensions May Vary with Bucket. Refer to Operating Specifications.



| NO. | SPECIFICATION                           | UNIT | I & II | III  |
|-----|---|------|--------|------|
| A   | Max. Operation Height                   | mm   | 3750   | 3850 |
| B   | Bucket Pin Height                       | mm   | 2920   | 3050 |
| C   | Cab Roof Height                         | mm   | 2000   | 2000 |
| D   | Max. Height at Bucket Leveled           | mm   | 2730   | 2850 |
| E   | Length without Attachment               | mm   | 2420   | 2530 |
| F   | Length with Standard Bucket             | mm   | 3220   | 3350 |
| H   | Dumping Height                          | mm   | 2260   | 2360 |
| J   | Reach Rollback                          | mm   | 640    | 610  |
| M   | Wheelbase                               | mm   | 1050   | 1080 |
| P   | Ground Clearance                        | mm   | 210    | 210  |
| R   | Front Turning Radius without Attachment | mm   | 1200   | 1180 |
| S   | Front Turning Radius                    | mm   | 2010   | 2050 |
| T   | Rear Turning Radius                     | mm   | 1520   | 1580 |
| U   | Tail Length                             | mm   | 960    | 980  |
| V   | Center Distance between Two Wheels      | mm   | 1240   | 1280 |
| W   | Bucket Width                            | mm   | 1820   | 1820 |
| G   | Dumping Angle at Max. Height            | °    | 40     | 40   |
| K   | Bucket Angle on Ground                  | °    | 28     | 29   |
| L   | Bucket Rollback Angle at Max. Height    | °    | 94     | 96   |
| Q   | Start Angle                             | °    | 27     | 27   |

### MAIN SPECIFICATION

|                   |        | PERKINS 404D-22T | XINCHAI A498BG-510 | KUBOTA V3600-E3B |
|-------------------|--------|------------------|--------------------|------------------|
| Engine Model      |        | PERKINS 404D-22T | XINCHAI A498BG-510 | KUBOTA V3600-E3B |
| Emission Standard |        | Euro IIIA        | Nation II          | Euro IIIA        |
| Rated Power       | kW/rpm | 44.7/2800        | 45/2500            | 50/2600          |
| Operating Weight  | kg     | 3000             | 3000               | 3100             |
| Rated Payload     | kg     | 810              | 810                | 860              |
| Bucket Capacity   | m³     | 0.48             | 0.48               | 0.48             |
| L×W×H             | mm     | 3220×1820×2000   | 3220×1820×2000     | 3350×1820×2000   |

### ENGINE SYSTEM

|              |           | PERKINS 404D-22T | XINCHAI A498BG-510 | KUBOTA V3600-E3B |
|--------------|-----------|------------------|--------------------|------------------|
| Engine Model |           | PERKINS 404D-22T | XINCHAI A498BG-510 | KUBOTA V3600-E3B |
| Rated Power  | kW/hp/rpm | 44.7/61/2800     | 45/61/2500         | 50/68/2600       |
| Displacement | L         | 2.2              | 3.17               | 3.62             |
| Stroke       | mm        | 84               | 98                 | 98               |
| Bore         | mm        | 100              | 105                | 120              |

### WEIGHTS

|                  |    |      |      |      |
|------------------|----|------|------|------|
| Operating Weight | kg | 3000 | 3000 | 3100 |
|------------------|----|------|------|------|

### POWER TRAIN

|                   |      |      |      |      |
|-------------------|------|------|------|------|
| Travel Speed -F&R | km/h | 11.5 | 11.5 | 11.5 |
|-------------------|------|------|------|------|

### TIRE

|      |  |         |         |         |
|------|--|---------|---------|---------|
| Tyre |  | 10×16.5 | 10×16.5 | 10×16.5 |
|------|--|---------|---------|---------|

### HYDRAULIC SYSTEM

|                            |           |     |    |     |
|----------------------------|-----------|-----|----|-----|
| Hydraulic Flow – Standard  | L/min/rpm | 74  | 74 | 91  |
| Loader Hydraulic Pressure  | MPa       | 21  | 21 | 21  |
| Hydraulic Flow – High Flow | L/min/rpm | 110 | –  | 128 |
| Loader Hydraulic Pressure  | MPa       | 19  | 19 | 19  |

### OPERATING SPECIFICATIONS

|                |    |      |      |       |
|----------------|----|------|------|-------|
| Rated Payload  | kg | 810  | 810  | 860   |
| Tipping Load   | kN | 1620 | 1600 | 1722  |
| Breakout Force | kN | 18.9 | 18.9 | 21.7  |
| Traction Force | kN | 20.3 | 20.3 | 24.27 |

### SERVICE REFILL CAPACITIES

|                      |   |    |    |    |
|----------------------|---|----|----|----|
| Chain Box, Each Side | L | 9  | 9  | 9  |
| Cooling System       | L | 12 | 12 | 12 |
| Engine Crankcase     | L | 8  | 8  | 9  |
| Fuel Tank            | L | 83 | 83 | 88 |
| Hydraulic Tank       | L | 65 | 65 | 65 |



ALL FOR SHOPS AND WAREHOUSES

#### LATVIA

SIA "Viss Veikaliem un Noliktavām"  
41A - 224 Kan davas street, Rīga, LV-10 83  
Phone: +371 27727449 ( latvian, english),  
+371 22074120 (l atvian, russian, english),  
+371 20330002 (latvian, russian, english)  
E-mail: info@vvn.lv

www.vvn.lv

#### LITHUANIA

Phone: +370 70066080  
E-mail: info@vvn.lt  
www.vvn.lt

#### NORWAY

Phone: +47 219558 68  
E-mail: info@vvn.no  
www.vvn.no

#### ESTONIA

Phone: +372 634633 2,  
+372 63463 42  
E-mail: info@vvn.ee  
www.vvn.ee

#### DENMARK

E-mail: info@vvn.dk  
www.vvn.dk

#### FINLAND

Phone: +358 7532633 23  
E-mail: info@vvn.fi  
www.vvn.fi

#### RUSSIA

Phone: +7 849960925 1 5  
E-mail: info@vvn.ru  
www.vvn.ru

#### SWEDEN

Phone: +46 107502388  
E-mail: info@vvn.se  
www.vvn.se

#### BELARUS

Phone: +375 849960925 1 5  
E-mail: info@vvn.by  
www.vvn.by