

VVN

Skid steer loaders

High performance power train
Comfortable operator station
Advanced hydraulic system
More work tools



Models described in the catalog:

VVN SSL 27

VVN SSL2 27

VVN SSL 30

VVN SSL2 30

VVN SSL 31

VVN SSL 37

VVN SSL2 37

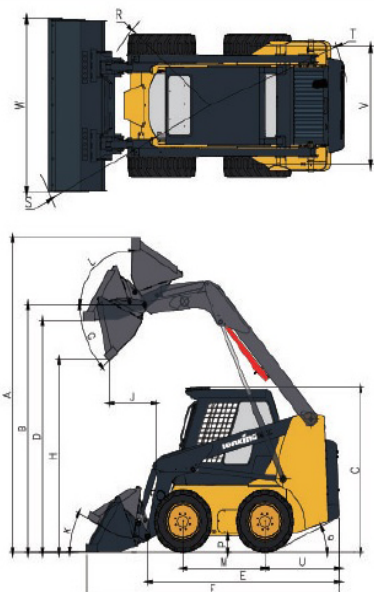
VVN SSL3 37

VVN SSL 27 / VVN SSL2 27

overall specifications

DIMENSIONS

All Dimensions are Approximate. Dimensions May Vary with Bucket. Refer to Operating Specifications.



NO.	SPECIFICATION	UNIT	I	II
A	Max. Operation Height	mm	3850	3850
B	Bucket Pin Height	mm	2920	2920
C	Cab Roof Height	mm	2000	2000
D	Max. Height at Bucket Levelled	mm	2730	2730
E	Length without Attachment	mm	2420	2420
F	Length with Standard Bucket	mm	3320	3320
H	Dumping Height	mm	2180	2180
J	Reach Rollback	mm	790	790
M	Wheelbase	mm	1050	1050
P	Ground Clearance	mm	210	210
R	Front Turning Radius without Attachment	mm	1200	1200
S	Front Turning Radius	mm	2060	2060
T	Rear Turning Radius	mm	1520	1520
U	Tail Length	mm	960	960
V	Center Distance between Two Wheels	mm	1240	1240
W	Bucket Width	mm	1530	1530
G	Dumping Angle at Max. Height	°	39	39
K	Bucket Angle on Ground	°	28	28
L	Bucket Rollback Angle at Max. Height	°	94	94
Q	Start Angle	°	27	27

MAIN SPECIFICATION

Engine Model		KUBOTA V2403-M-T-E3B	XINCHAI A498BT1-75
Emission Standard		EuroIIIA	EuroIIIA
Rated Power	kW/rpm	42/2600	36.8/2500
Operating Weight	kg	2700	2800
Rated Payload	kg	752	760
Bucket Capacity	m³	0.43	0.43
L×W×H	mm	3320×1530×2000	3320×1530×2000

ENGINE SYSTEM

Engine Model		KUBOTA V2403-M-T-E3B	XINCHAI A498BT1-75
Rated Power	kW/hp/rpm	42/56/2600	36.8/50/2500
Displacement	L	2.434	3.168
Stroke	mm	87	98
Bore	mm	102.4	105

WEIGHTS

Operating Weight	kg	2700	2800
------------------	----	------	------

POWER TRAIN

Travel Speed -F&R	km/h	11.5	11.5
-------------------	------	------	------

TIRE

Tyre		10×16.5	10×16.5
------	--	---------	---------

HYDRAULIC SYSTEM

Hydraulic Flow – Standard	L/min/rpm	74	74
Loader Hydraulic Pressure	MPa	21	21
Hydraulic Flow – High Flow	L/min/rpm	110	–
Loader Hydraulic Pressure	MPa	19	–

OPERATING SPECIFICATIONS

Rated Payload	kg	752	760
Tipping Load	kN	1504	1520
Breakout Force	kN	18.9	18.9
Traction Force	kN	20.3	20.3

SERVICE REFILL CAPACITIES

Chain Box, Each Side	L	9	9
Cooling System	L	12	12
Engine Crankcase	L	8	8
Fuel Tank	L	83	83
Hydraulic Tank	L	65	65



ALL FOR SHOPS AND WAREHOUSES

LATVIA

SIA "Viss Veikaliem un Noliktavam"
41A - 224 Kan davas street, Riga, LV-10 83
Phone: +371 27727449 (latvian, english),
+371 22074120 (l atvian, russian, english),
+371 20330002 (latvian, russian, english)
E-mail: info@vvn.lv

www.vvn.lv

LITHUANIA

Phone: +370 70066080
E-mail: info@vvn.lt
www.vvn.lt

NORWAY

Phone: +47 219558 68
E-mail: info@vvn.no
www.vvn.no

ESTONIA

Phone: +372 634633 2,
+372 63463 42
E-mail: info@vvn.ee
www.vvn.ee

DENMARK

E-mail: info@vvn.dk
www.vvn.dk

FINLAND

Phone: +358 7532633 23
E-mail: info@vvn.fi
www.vvn.fi

RUSSIA

Phone: +7 849960925 1 5
E-mail: info@vvn.ru
www.vvn.ru

SWEDEN

Phone: +46 107502388
E-mail: info@vvn.se
www.vvn.se

BELARUS

Phone: +375 849960925 1 5
E-mail: info@vvn.by
www.vvn.by