



ALL FOR SHOPS AND WAREHOUSES

VVN

## Road rollers

Complete line of applications and accessories  
Excellent ergonomics design  
Powerful engine



Models described in the catalog:

VVN RR 30

VVN RR 100

VVN RR 120

VVN RR2 120

VVN RR 140

VVN RR2 140

VVN RR 160

VVN RR 180

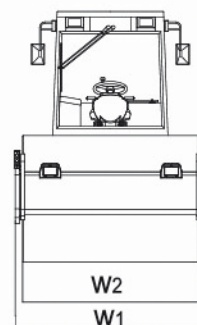
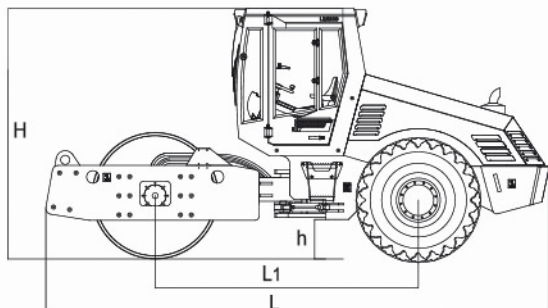
VVN RR 200

VVN RR2 200

VVN RR 260

# VVN RR 100 / VVN RR 120 / VVN RR 140 / VVN RR 160

## overall specifications



Weight	Operating Weight(kg)	10000	12000	14000	16000
	Weight Burden on Front Drum(kg)	5000	6000	7000	7700
	Weight Burden on Rear Wheel(kg)	5000	6000	7000	8300
	Static Linear Load(N/cm)	235	277	330	360
Compaction	Centrifugal Force(kN)	240/150	280/180	290/160	310/190
	Nominal Amplitude(mm)	1.8/0.9	1.8/0.9	1.8/0.9	1.9/0.9
	Vibration Frequency(Hz)	28	28	28	28
Travel	Min.Turning Radius(mm)	6500	6500	6300	6300
	Grade Ability(%)	30	30	30	30
	Steering Angle(°)	30	30	30	30
	Swing Angle(°)	10	10	10	10
	Travel Speed Forward(km/h)	1.9/3.3/9.1	1.9/3.3/9.1	2.1/3.9/8.4	2.2/4.5/9.2
	Travel Speed Reverse(km/h)	1.9/3.3	1.9/3.3	2.3/3.9	2.2/4.5
Dimension	Length×Width×Height(mm)	5975×2260×3250	5975×2260×3250	5975×2280×3278	6140×2300×3365
	Width of Drum(W2)(mm)	2120	2120	2120	2120
	Diameter of Drum(mm)	1520	1520	1520	1520
	Rim Thickness of Drum(mm)	20	25	30	30
	Wheelbase(L1)(mm)	3135	3135	3100	3100
	Min ground clearance(h)(mm)	420	420	420	420
Engine	Manufacturer	Yuchai	Yuchai	Weichai	Yuchai
	Model	YC6B120-T20	YC6B120-T20	WP6G125E202	YC6B150Z-T21
	Rated Power(kW)	85	85	92	110
	Rated Speed(rpm)	2200	2200	2000	2000
Storage Battery	Voltage(V)	12	12	12	12
	Capacity(Ah)	120×2	120×2	120×2	120×2
Maintenance	Fuel Tank Capacity(L)	220	220	220	250
	Hydraulic Tank Capacity(L)	220	220	220	140
	Tire Type	17.5-25 12PR	17.5-25 12PR	23.1-26 8PR	23.1-26 12PR
	Service Brake	Air Booster Caliper Rear Axle Brake			
	Parking Brake	Shaft Controlling Brake of Gear Box			
	Drive Type	Mechanical Drive			
	Vibration Type	Open-loop Hydraulic Vibration System			
	Optional	Air Conditioner			
		Cold Start			
		Coated Cams			



ALL FOR SHOPS AND WAREHOUSES

### LATVIA

SIA "Viss Veikaliem un Noliktavām"  
41A - 224 Kan davas street, Rīga, LV-10 83  
Phone: +371 27727449 ( latvian, english),  
+371 22074120 (l atvian, russian, english),  
+371 20330002 (latvian, russian, english)  
E-mail: info@vvn.lv

www.vvn.lv

### LITHUANIA

Phone: +370 70066080  
E-mail: info@vvn.lt  
www.vvn.lt

### NORWAY

Phone: +47 219558 68  
E-mail: info@vvn.no  
www.vvn.no

### ESTONIA

Phone: +372 634633 2,  
+372 63463 42  
E-mail: info@vvn.ee  
www.vvn.ee

### DENMARK

E-mail: info@vvn.dk  
www.vvn.dk

### FINLAND

Phone: +358 7532633 23  
E-mail: info@vvn.fi  
www.vvn.fi

### RUSSIA

Phone: +7 849960925 1 5  
E-mail: info@vvn.ru  
www.vvn.ru

### SWEDEN

Phone: +46 107502388  
E-mail: info@vvn.se  
www.vvn.se

### BELARUS

Phone: +375 849960925 1 5  
E-mail: info@vvn.by  
www.vvn.by